



WHATSAPP / WECHAT: +86-139-2333-6864

CONTACT US

佰蒂科技有限公司

ELIKE TECHNOLOGY CO., LIMITED

邮箱 / E-mail: elike@elikelighting.com

网址 / Website: www.elikelighting.com

地址 / Address: 广东省中山市古镇曹兴东路88号首层

#88 East Caoxing Road, Guzhen Town, Zhongshan City, Guangdong, China.



INTRODUCTION TO OUTDOOR
LIGHTING PRODUCTS

户外照明产品介绍

道路照明设计
STREET LIGHTING DESIGN

私模路灯

PRIVATE LED STREET LIGHT



功能特点 GREAT FEATURES

- 背部光滑, 可自清洁, 无积灰;
The back is smooth, self-cleaning, and has no dust accumulation;
- 免工具维护卡扣, 方便快捷检修维护;
Tool-free maintenance buckle, convenient for quick maintenance;
- 灯头手柄可调节正负15°仰角, 可垂直90°安装;
The handle of the lamp head can be adjusted to plus or minus 15°levation angle, and can be installed vertically at 90°;



免工具维护, 方便快捷
Tool free maintenance, convenient and fast

产品优势&规格参数 ADVANTAGES & CHARACTERISTICS

经过优化和全面认证的LED照明解决方案, 具有成本效益和快速的投资回报。

An optimised and fully certified LED lighting solution that provides a cost effective and fast return on investment .

优势 ADVANTAGES

- PC镜头, 透光率94%。
PC lens, light transmittance 94%.
- 4种尺寸, 灵活多变。
4 sizes for flexibility.
- 可提供电气保护等级。
Available with Electrical Protection Class.
- 采用13道喷涂工艺, 产品可靠性高。
Using 13 process spraying process, product reliability is high.
- 高效涂层, 油漆和金属部件可以通过500小时盐雾测试。
High efficiency coating, paint and metal parts can pass 500 hours salt spray test.
- 快速断电, 保护器的可拆卸设计及使用使得这款照明设备维护方便且安全。
Detachable design and use of fast turn off power protector render this luminaire convenient and safe for maintenance.
- 易于安装和维护。
Easy installation and maintenance.
- 可编程程序, 智能驱动。
Programmable Drivers - Smart-ready.
- 一级保护等级。
ENEC CLASS I.
- 含10kV电涌保护装置, 可选20kV电涌保护装置。
10kV Surge Protection Device included & 20kV Surge Protection Device optional.
- 经济高效的照明解决方案。
Cost-effective and efficient lighting solution for a fast return of investment.
- 高强度海洋级压铸铝合金阀体, 冲击等级为IK10
PC镜头盖等级为IK08。
High strength ocean grade die cast aluminum alloy valve body
An IK10 impact rating and PC lens cover rated IK08.

规格参数 CHARACTERISTICS

功率 Power	30W/60W/100W/150W/200W/240W
典型光通量 Typical Luminaire	150lm/W-170lm/W
色温 Colour temperature	3000-6500K
显色指数 CRI	70/80/90 for optional
光源类型 LED Chip	5050 / 3030
输入电压 Nominal voltage	AC100-277V, 50/60Hz
光学角度3030(16 in 1)	J-16T1A/J-16T2A/J-16T2B/J-16T3A/ J-16T4A/ D-16T1SA/D-16T2MA/D-16T3MA/H-16T1A/H-16T2A/ H-16T3MA
光学角度5050 (6 in 1)	TPII-S/TP-II-M/TPIII-SCL/TP-III-M
防护等级 IP	IP66
抗击等级 IK	Ik10
外壳颜色 Housing Colour	信号白/白铝色 White/Gray
安装选项 Installation options	垂直/可调角度 Vertical / adjustable angle
推荐安装高度 Recommended Installation Height	4m - 12m
工作温度 Operating temperature	-30°C to 50°C
材料 Material	压铸铝&PC透镜 Die cast aluminum & PC Lens

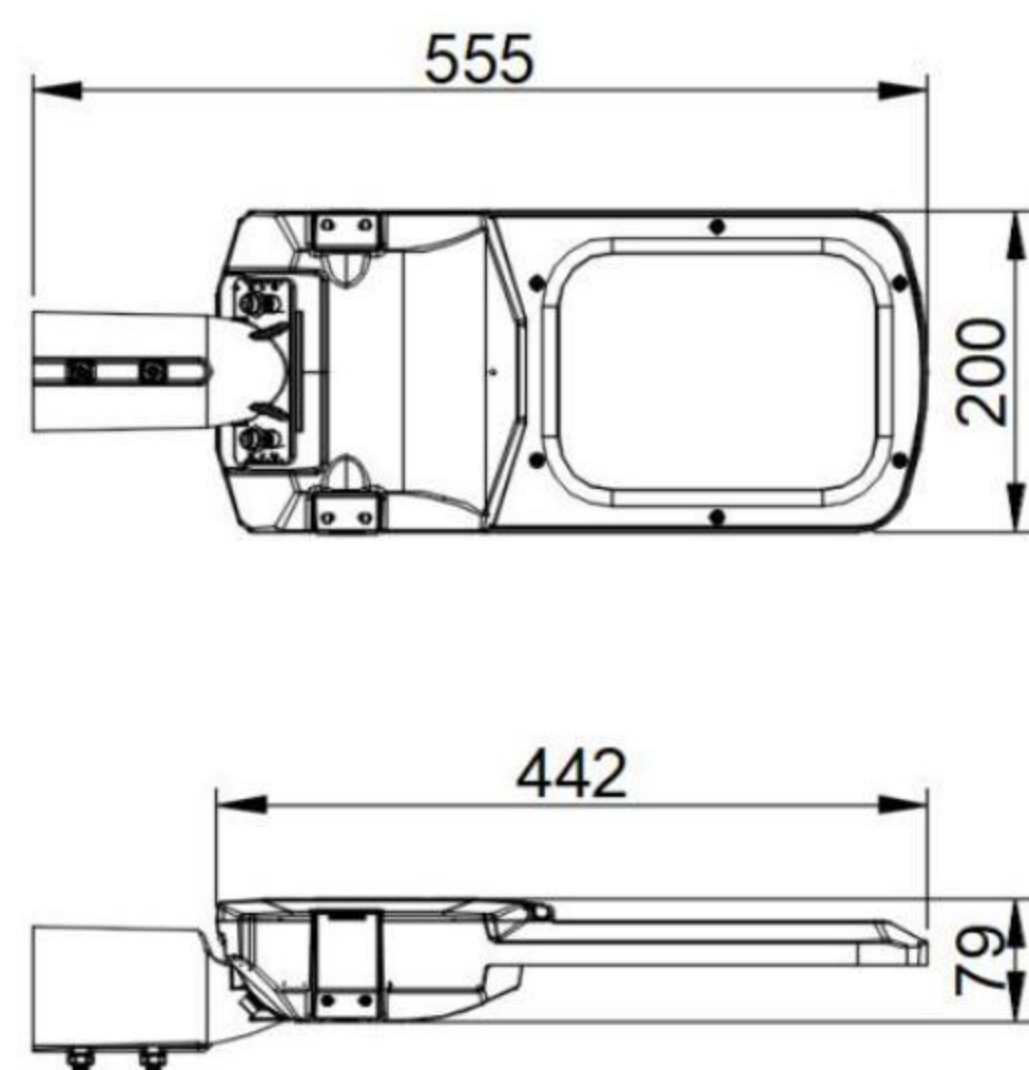
型号功率&灯具尺寸 MODEL POWER & LIGHT SIZE

适用于各种路况的完整而多样的照明解决方案。

A complete and versatile range of lighting solutions for all road conditions.

MODEL 30W-60W

单位/unit (mm)



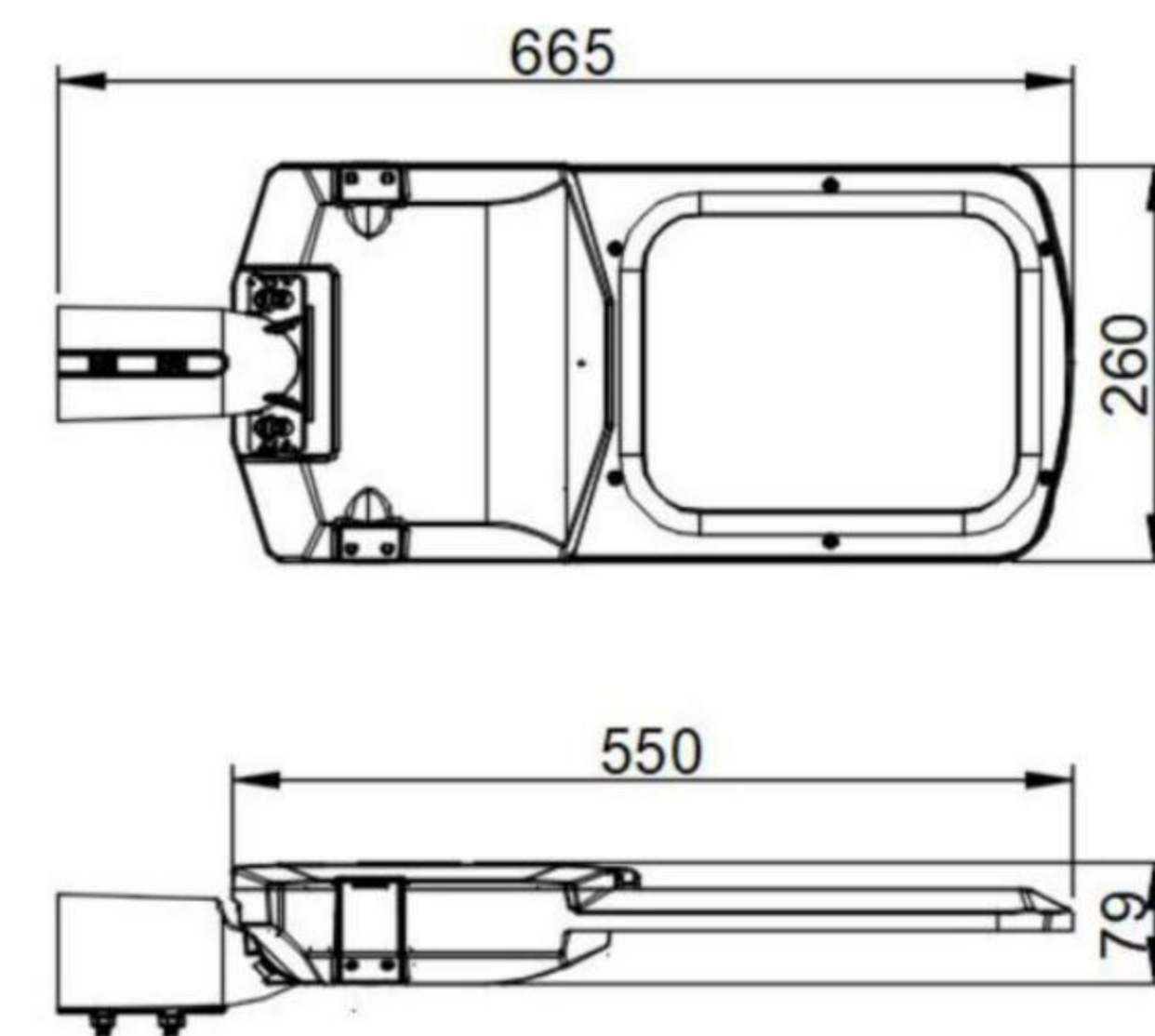
背面光滑 BACK SMOOTH SURFACE

超薄光面灯体无翅片设计，不积水，不积灰。

Ultra-thin smooth lamp body has no fin design, no water accumulation and no dust accumulation.

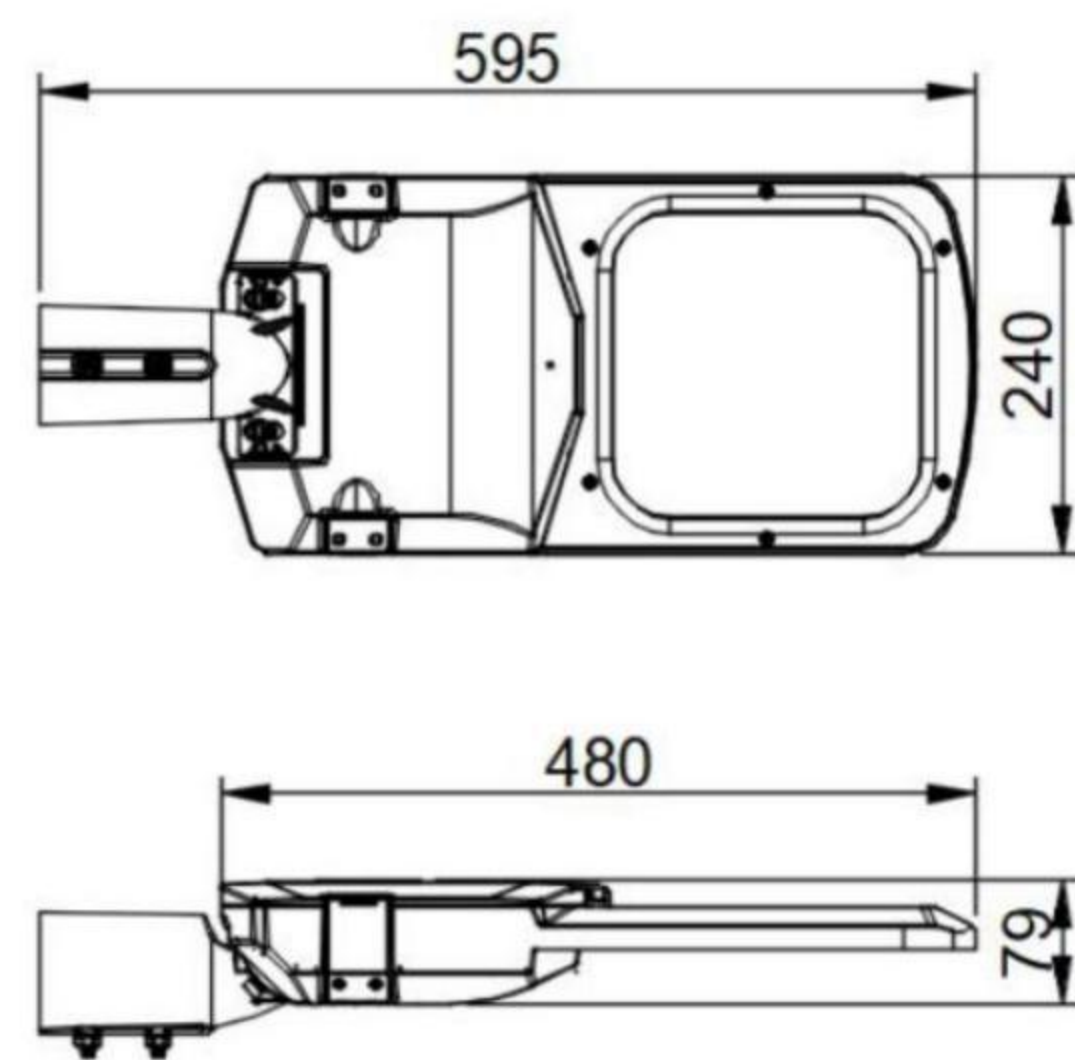
MODEL 150W

单位/unit (mm)



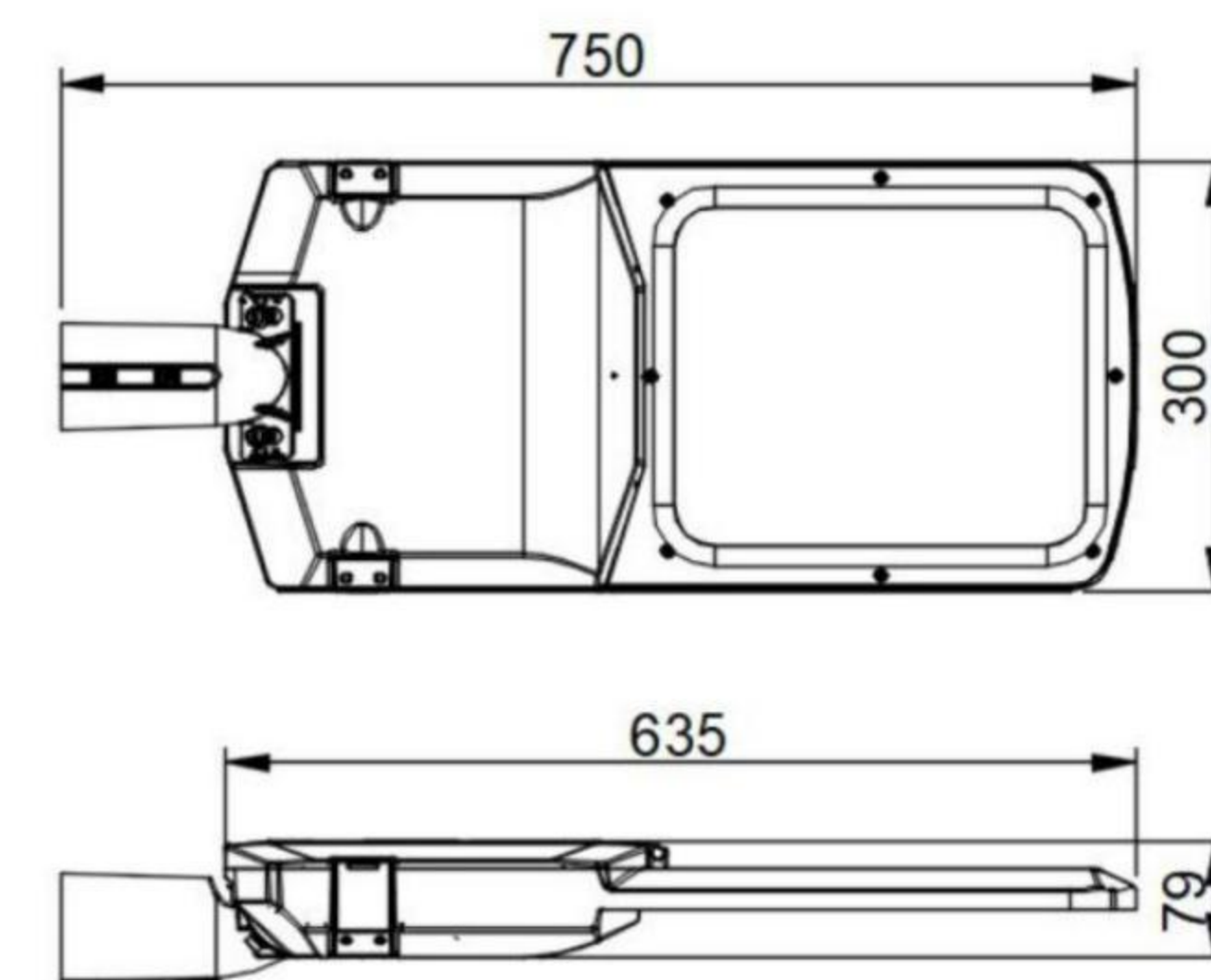
MODEL 100W

单位/unit (mm)



MODEL 200W/240W

单位/unit (mm)



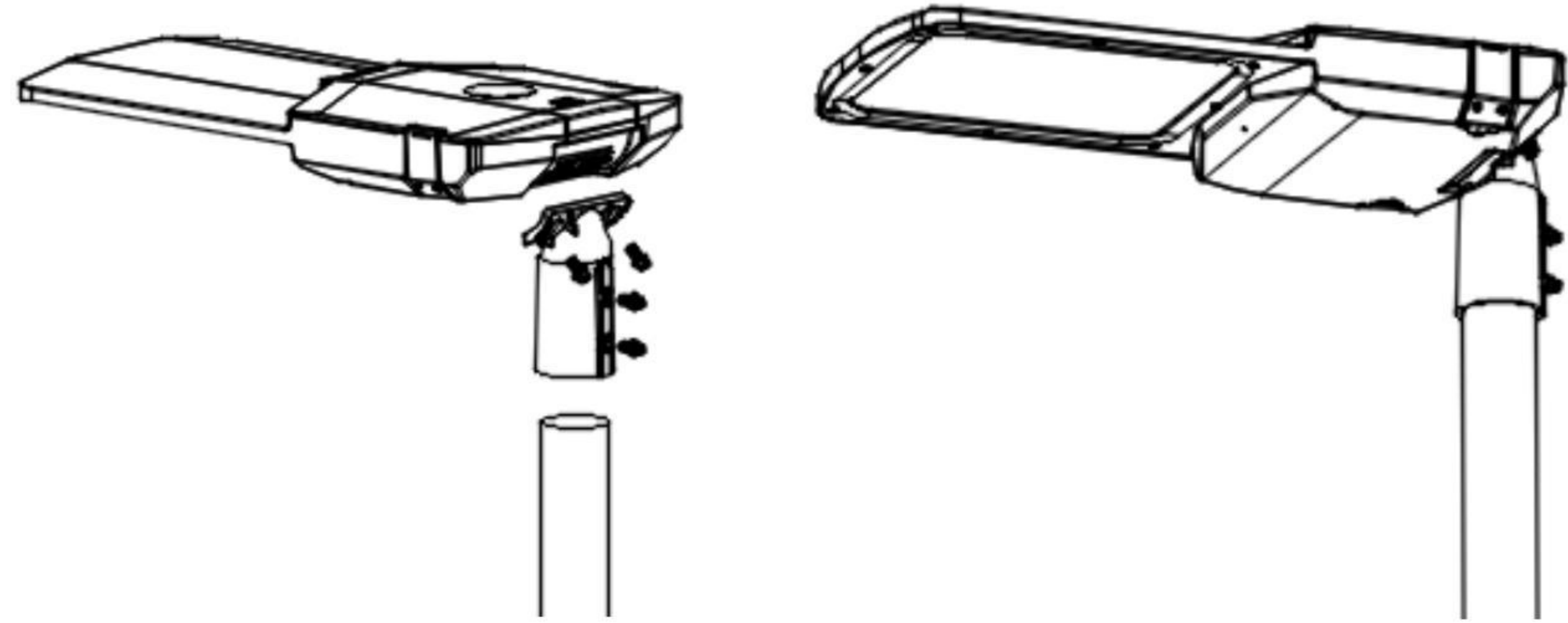
安装方式 INSTALLATION

独特的人体工程学外壳设计，便于现场维护和安装，压铸铝外壳保护内部组件并确保使用寿命，以及苛刻条件下的耐用性。

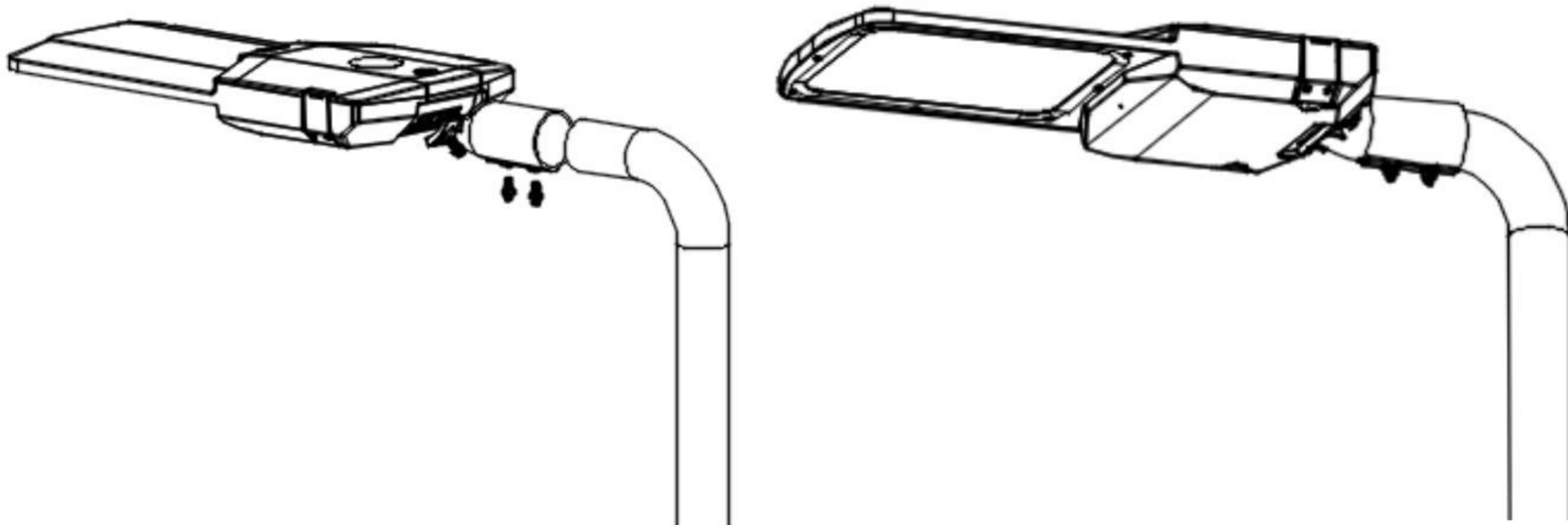
The unique ergonomic housing design enables easy on-site maintenance and installation. The die-cast aluminium housing protects the interior components and ensures longevity and durability in demanding conditions.

可选安装方式 Optional installation method

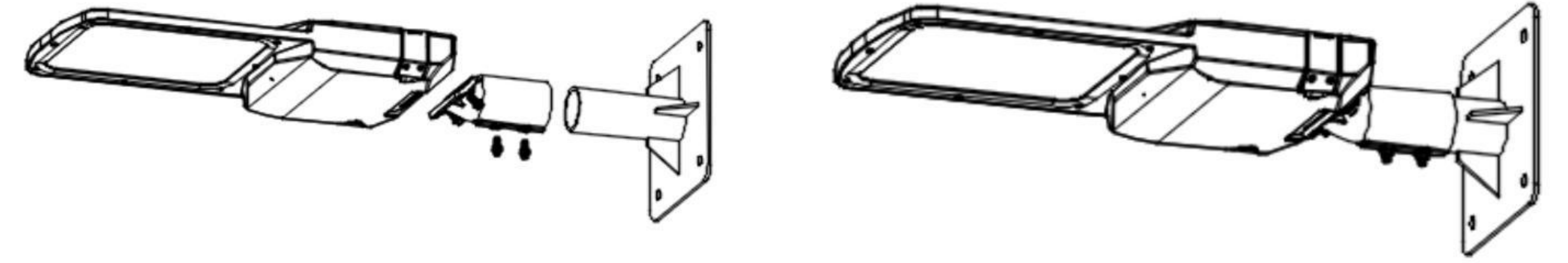
1、直杆式



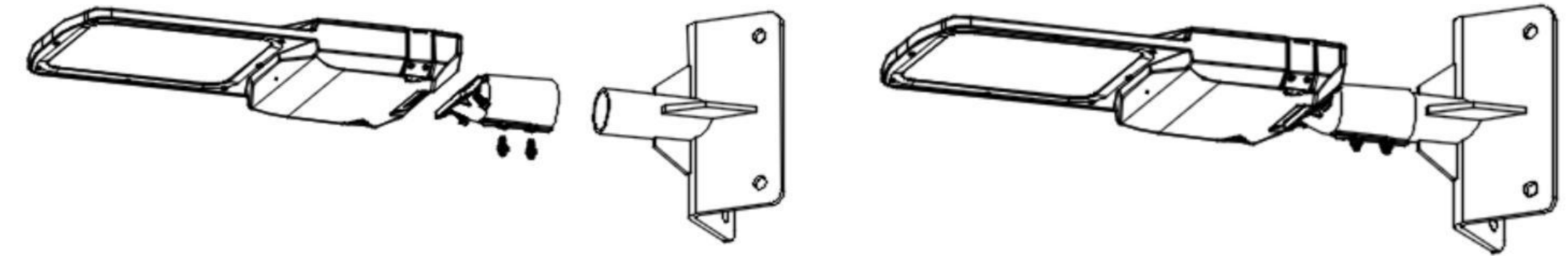
1、直杆式



3、壁挂式



4、角装式



规格参数 SPECIFICATION

型号 Model	功率 Power	灯珠 LED	光源 类型 LED Brand	灯珠 数量 LED Pcs	灯具光效 Luminous Efficiency	光通量 Luminous Flux	输入电压 Input Voltage	电源型号 Driver Brand Model No.	主体材料 Main Body Material	灯杆直径 Pole Diameter	装箱数 Qty Ctn	毛重 G. W.	产品尺寸 Product Dimensions
Q9-30W/60W	30W 60W	5050	Lumileds	32	150Lm/W- 170Lm/W	9000lm- 10200lm	100-277V	MEANWELL/ SOSEN/MOSO	压铸铝/钢化玻璃 Die Cast Aluminium & Tempered glass	ø45/ø60mm	1PCS	3.95	555*200*79mm
Q9-100W	100W	5050	Lumileds	72	150Lm/W- 170Lm/W	15000lm- 17000lm	100-277V	MEANWELL/ SOSEN/MOSO	压铸铝/钢化玻璃 Die Cast Aluminium & Tempered glass	ø45/ø60mm	1PCS	6.0	595*240*79mm
Q9-150W	150W	5050	Lumileds	96	150Lm/W- 170Lm/W	22500lm- 25500lm	100-277V	MEANWELL/ SOSEN/MOSO	压铸铝/钢化玻璃 Die Cast Aluminium & Tempered glass	ø45/ø60mm	1PCS	6.4	665*260*79mm
Q9-200W	200W	5050	Lumileds	160	150Lm/W- 170Lm/W	30000lm- 34000lm	100-277V	MEANWELL/ SOSEN/MOSO	压铸铝/钢化玻璃 Die Cast Aluminium & Tempered glass	ø45/ø60mm	1PCS	7.0	750*300*79mm
Q9-240W	240W	5050	Lumileds	160	150Lm/W- 170Lm/W	36000lm- 40800lm	100-277V	MEANWELL/ SOSEN/MOSO	压铸铝/钢化玻璃 Die Cast Aluminium & Tempered glass	ø45/ø60mm	1PCS	7.2	750*300*79mm

应用场景 APPLICATION

应用场景 APPLICATIONS



01 火车站和地铁站
Railway & Metro Stations



02 道路和高速公路
Roads & Motorways



03 桥梁
Bridges



04 城市和住宅街道
Urban & Residential Streets

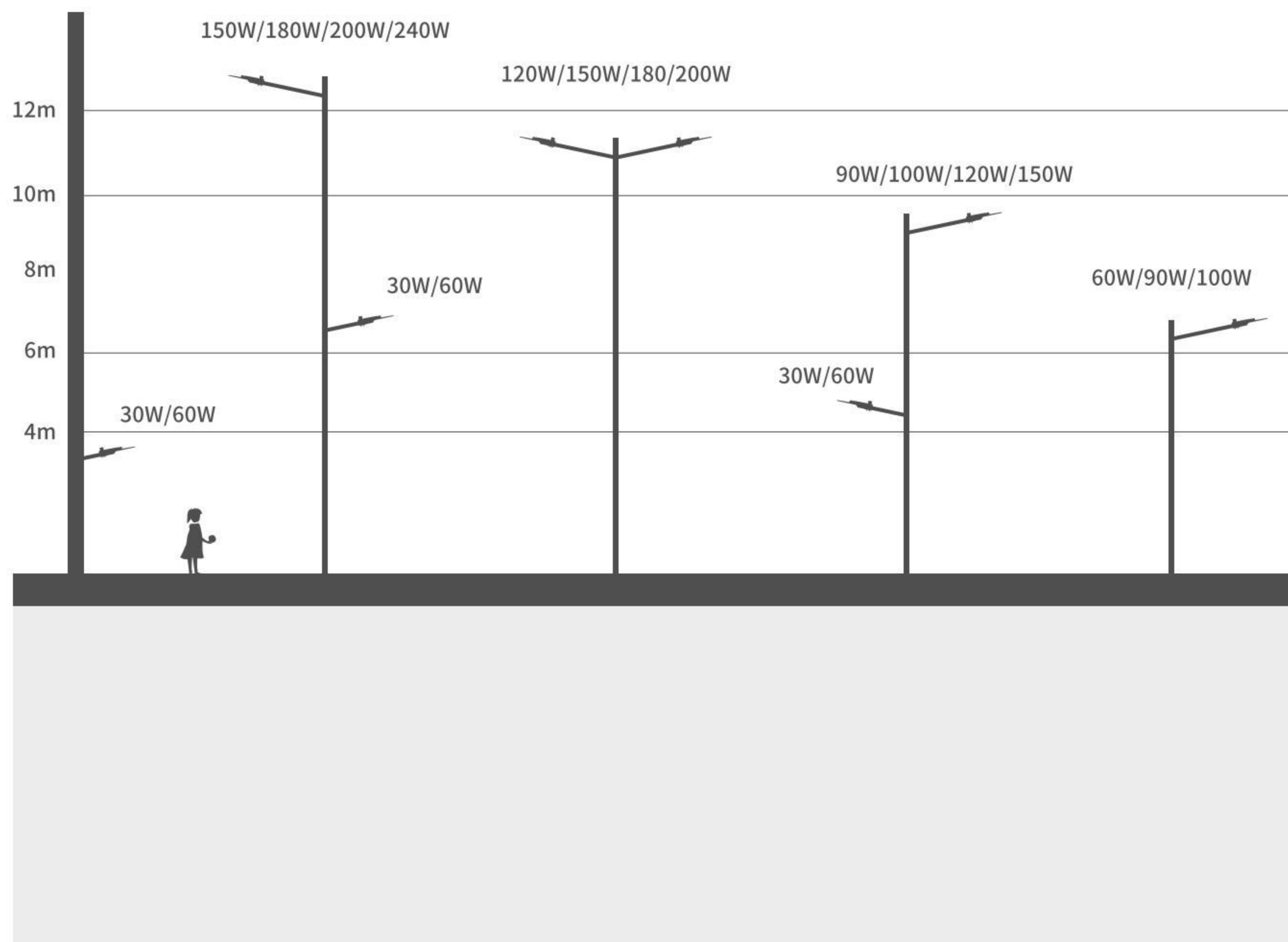


05 自行车道和人行道
Bike & Pedestrian Paths



06 停车场
Parking Lots

高度示意 POLE SELECTION



灯光性能和分布 LIGHT PERFORMANCE & DISTRIBUTION

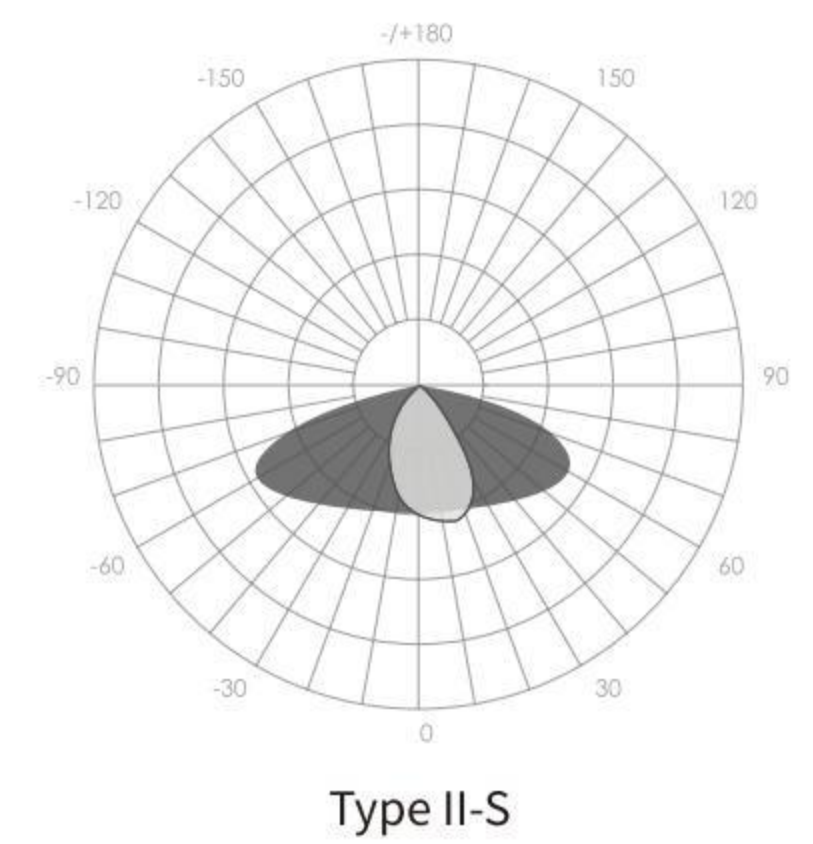
LED路灯的解决方案，提供可靠的光学性能和耐用性，适用于在最苛刻的情况下提供高效的照明。

The LED street light solution offers reliable optical performance and durability for efficient light coverage in the most demanding situations.

光分布图 LIGHT DISTRIBUTION DIAGRAM

双车道

TWO-LANE CARRIAGEWAY

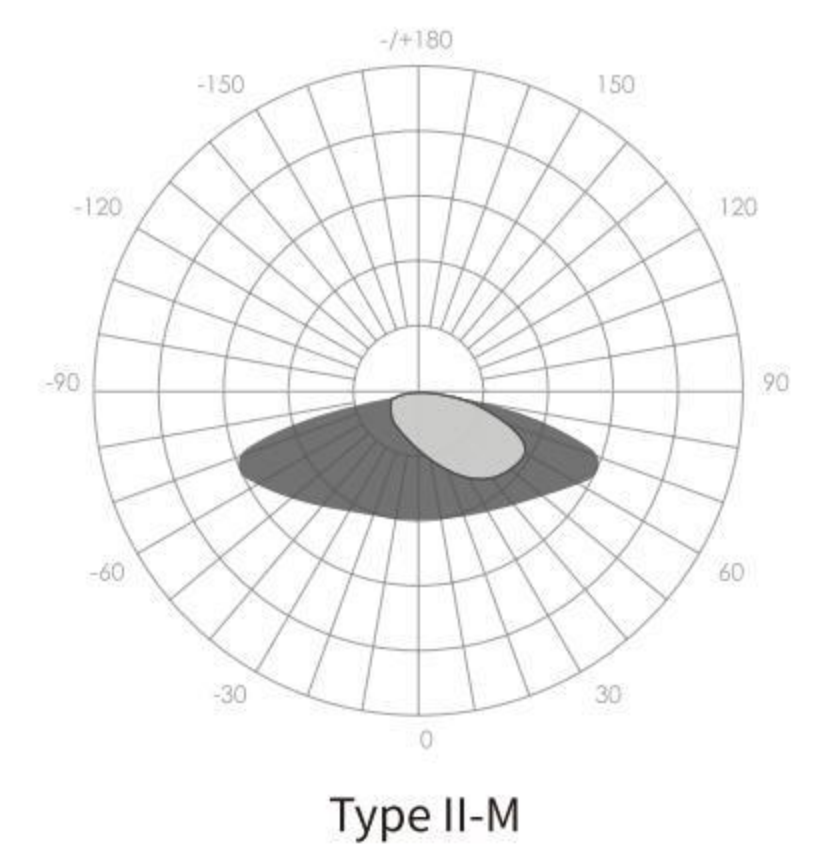
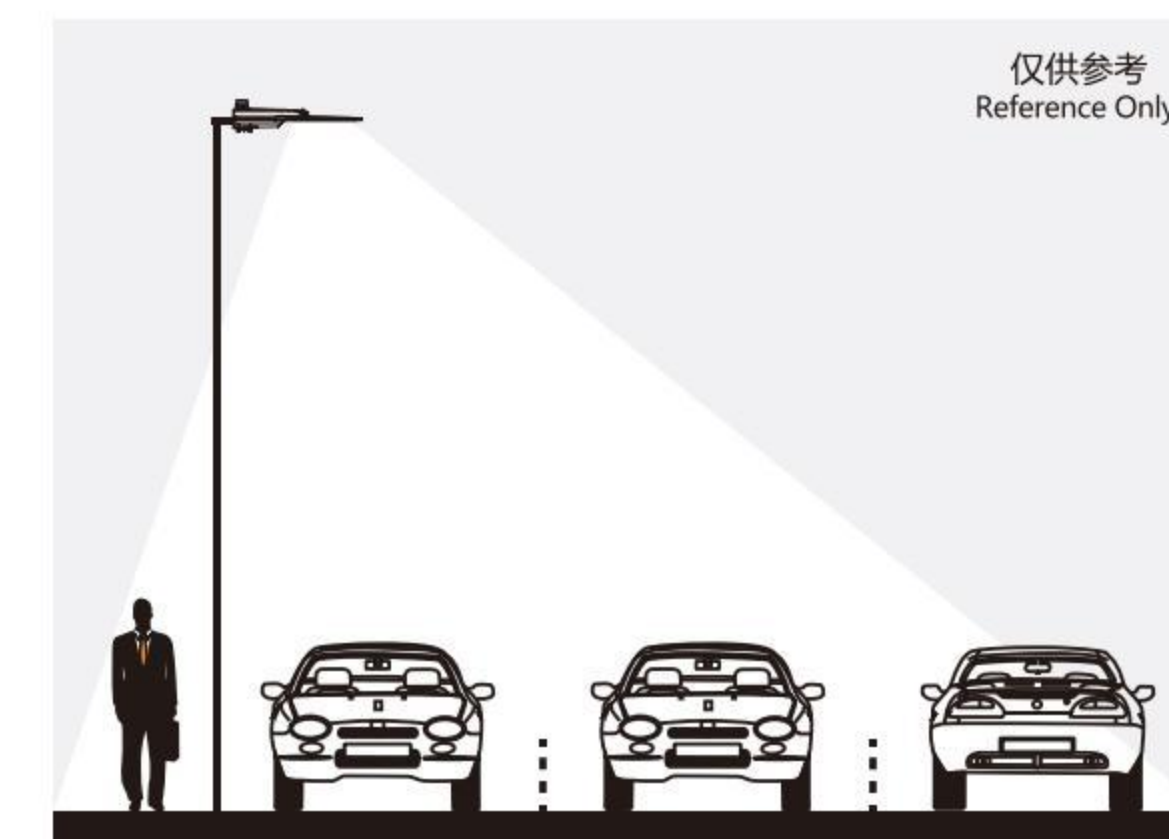


广泛的分布对于高速公路、多车道主干道非常重要。灯具的间距高度比可重新调整为3.5。根据CIE 140/EN 13201要求 (ME1~ME2) 这些参数[Lav、U0、UI、TI、SR]通过了Dialux模拟。

The wide distribution is great for expressways, multi-lane arterial roads. Spacing height ratio of luminary can resch 3.5. According CIE 140/EN 13201 requirement (ME1~ME2), those parameters [Lav, U0, UI, TI, SR] are passed in Dialux simulation.

多车道

MULTI-LANE CARRIAGEWAY

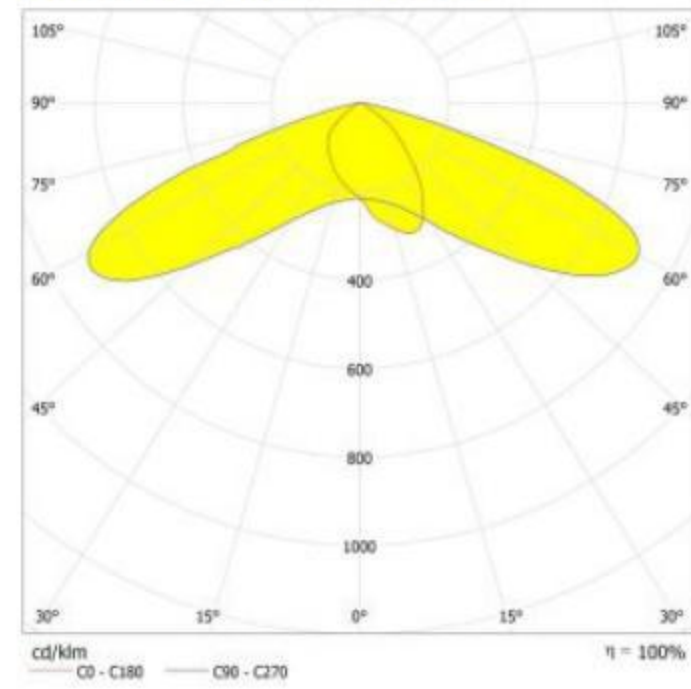


宽分布也可用于多车道车道，您可以使用应用多车道主干道，间距高度亮度比可达到3.5。根据CIE 140/EN 13201要求 (ME1~ME2) 这些参数[Lac、U0、UI、TI、SR]通过了Dialux模拟。

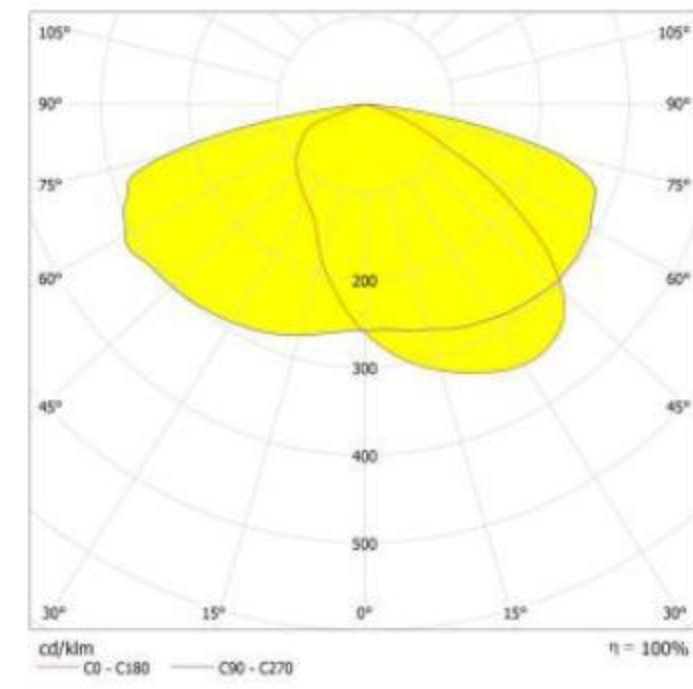
The wide distribution also can be used to multi-lane carriageway. You can use to apply multi-lane arterial roads. Spacing height ratio of luminary can reach 3.5. According CIE 140/EN 13201 requirement (ME1~ME2) those parameters [Lac, U0, UI, TI, SR] are passed in Dialux simulation.

配光曲线图 LIGHT DISTRIBUTION CURVE:

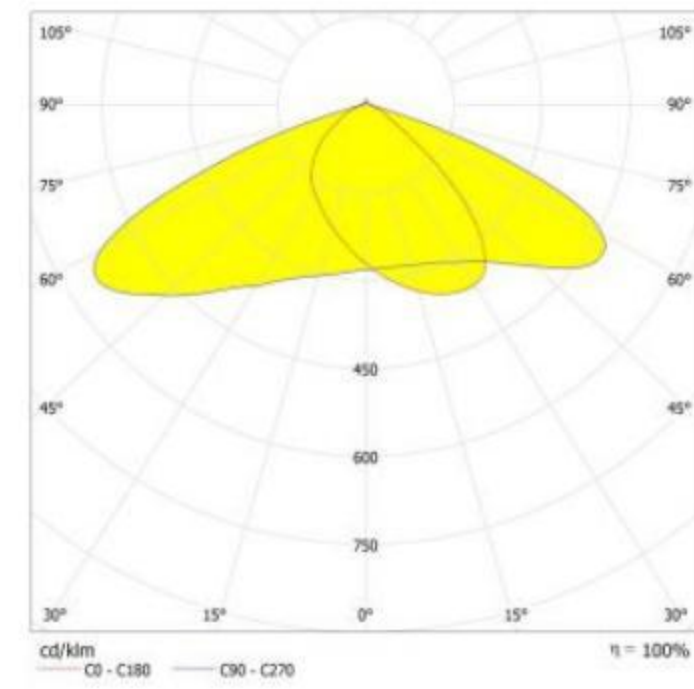
LUMILEDS 3030



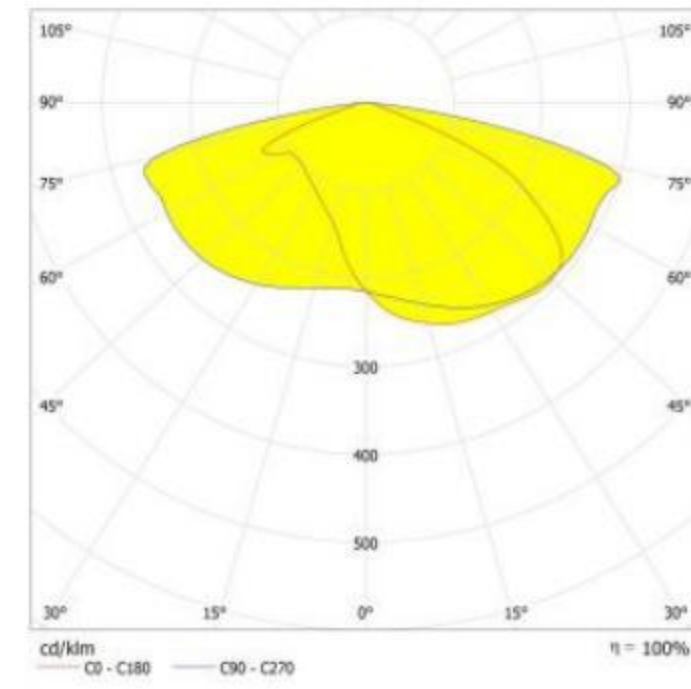
J-16T1A



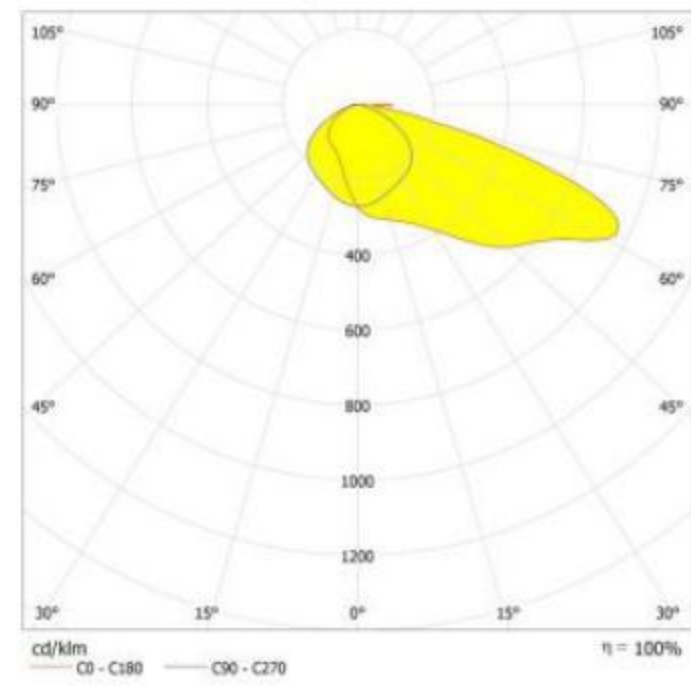
J-16T2A



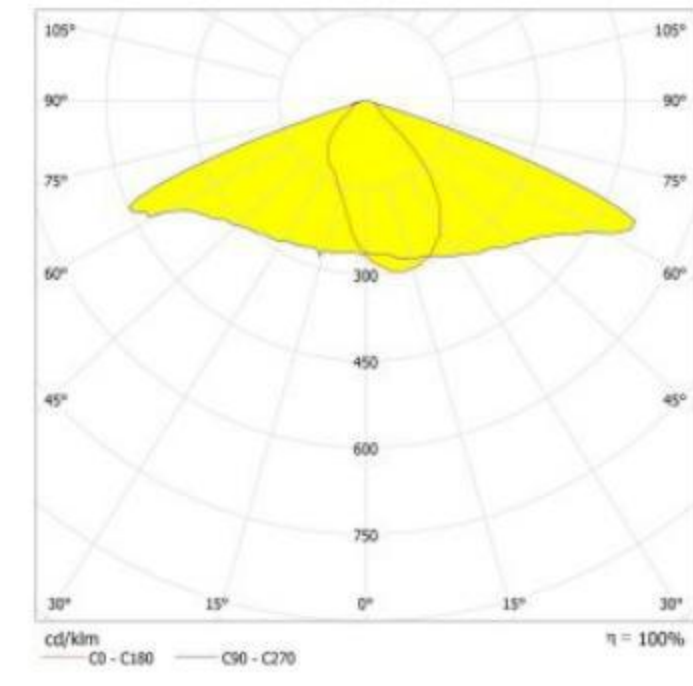
J-16T2B



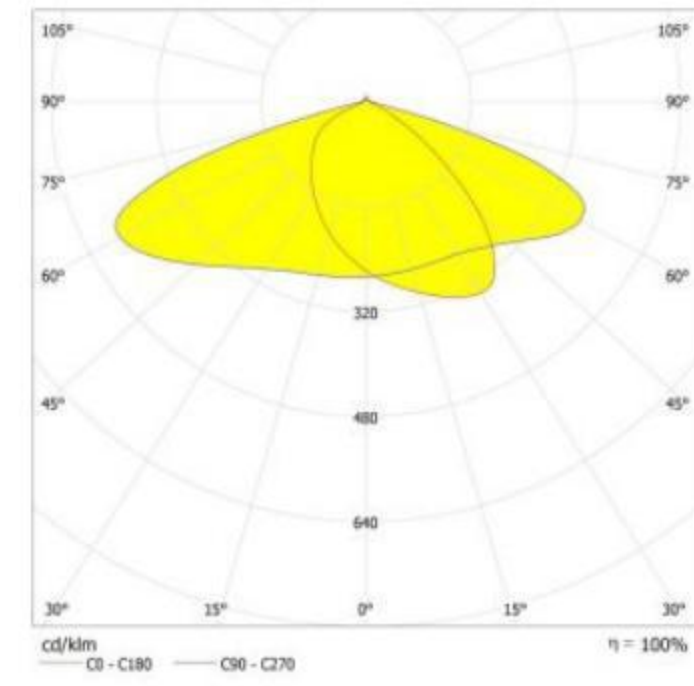
J-16T3A



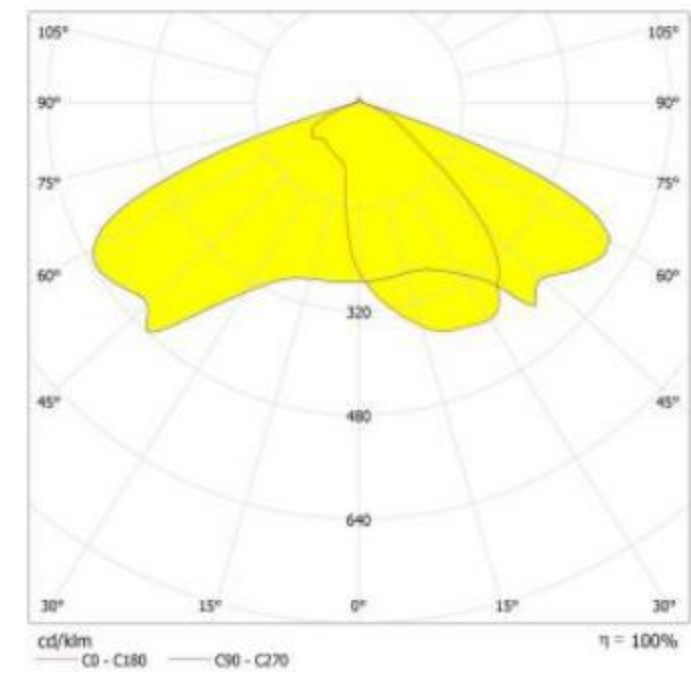
J-16T4A



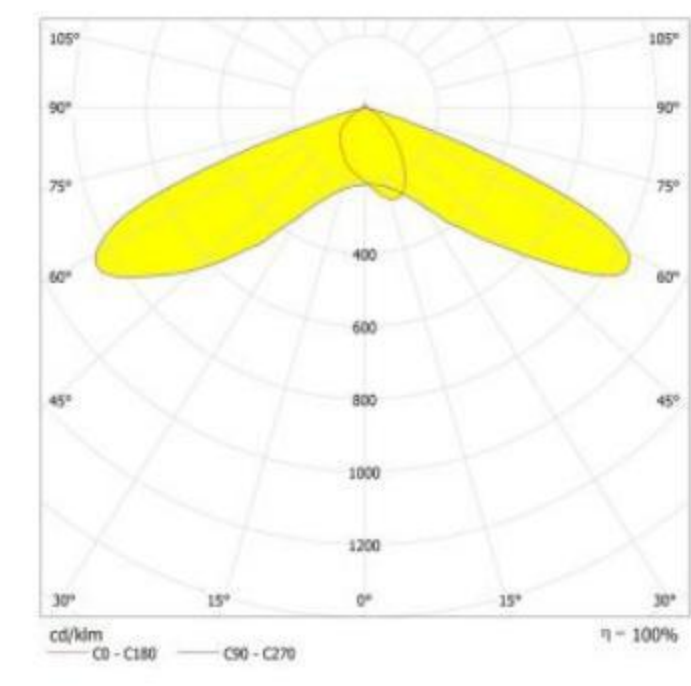
D-16T1SA



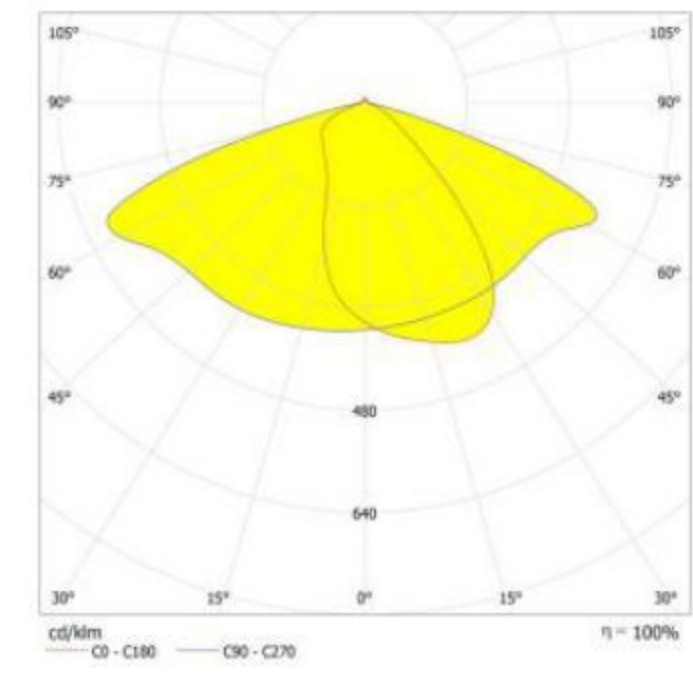
D-16T2MA



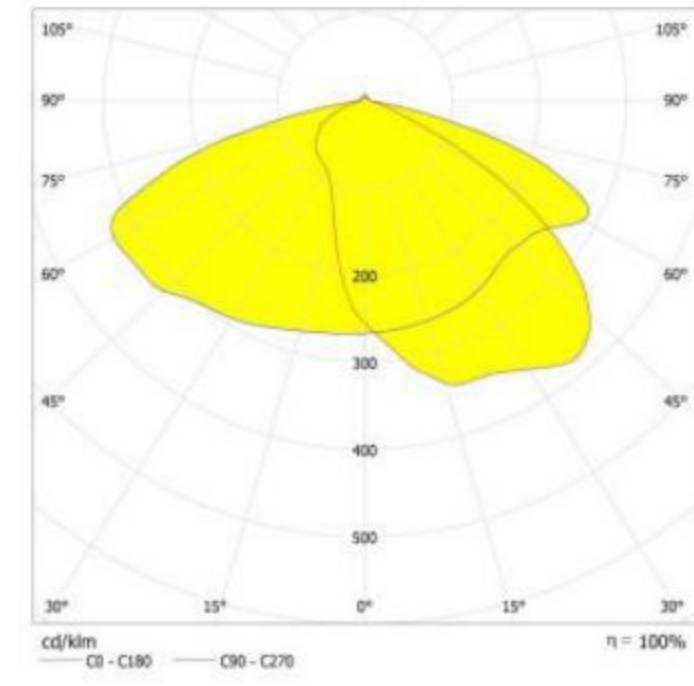
D-16T3MA



H-16T1A

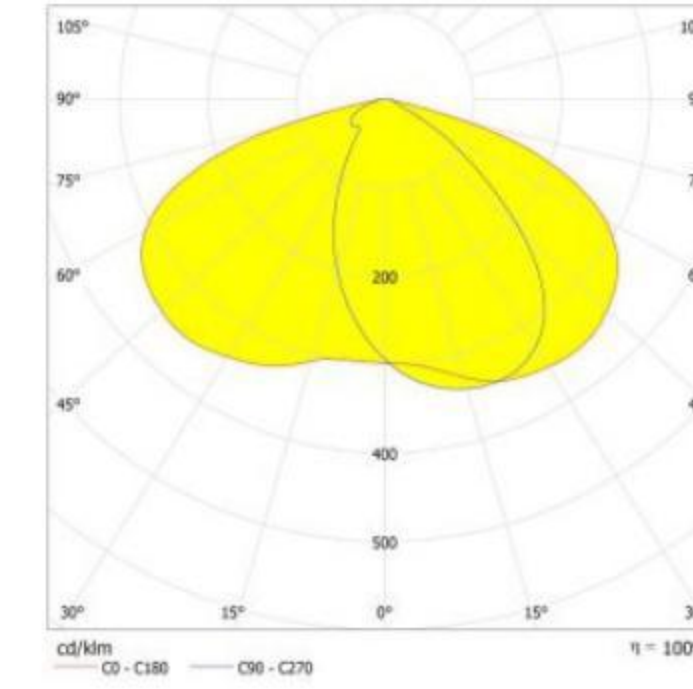


H-16T2A

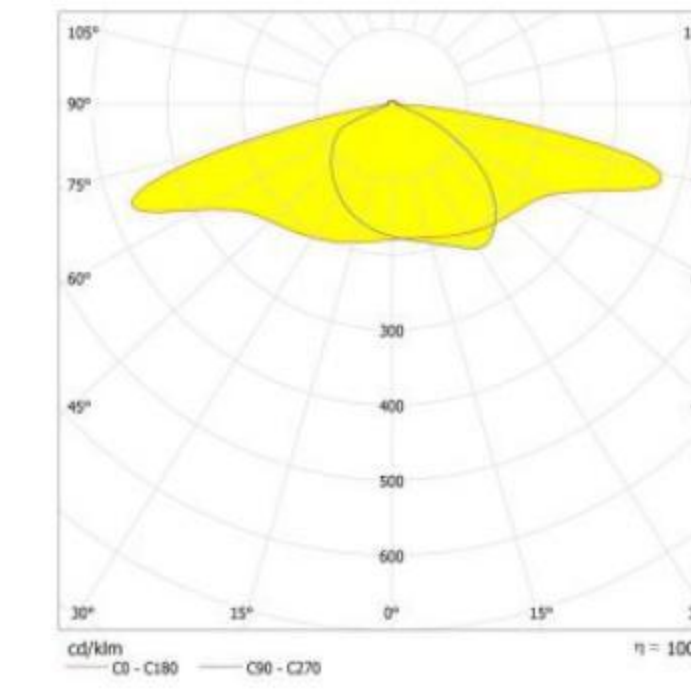


H-16T3MA

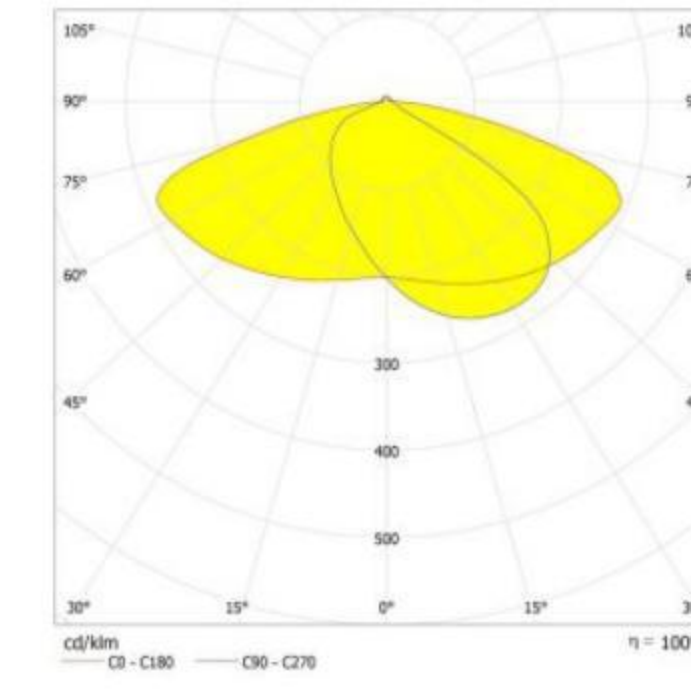
LUMILEDS 5050



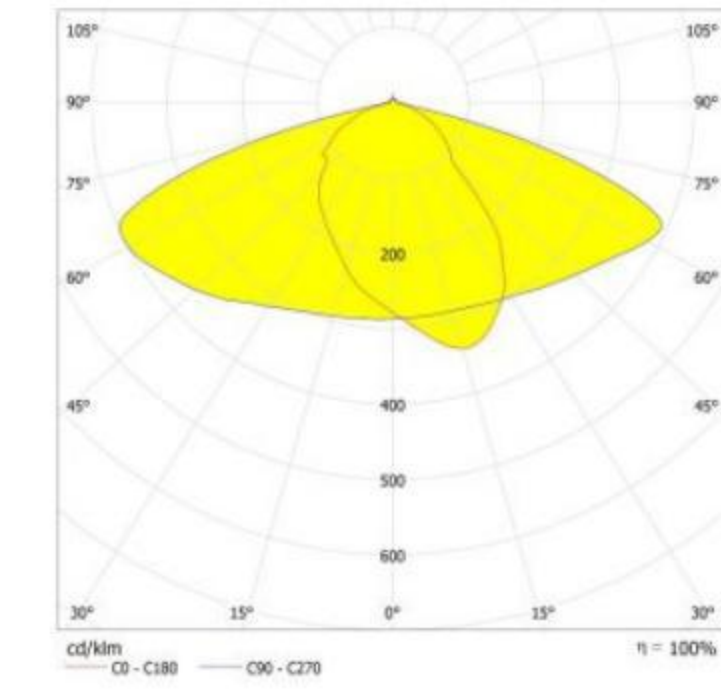
D-8T2SA



D-8T2MA



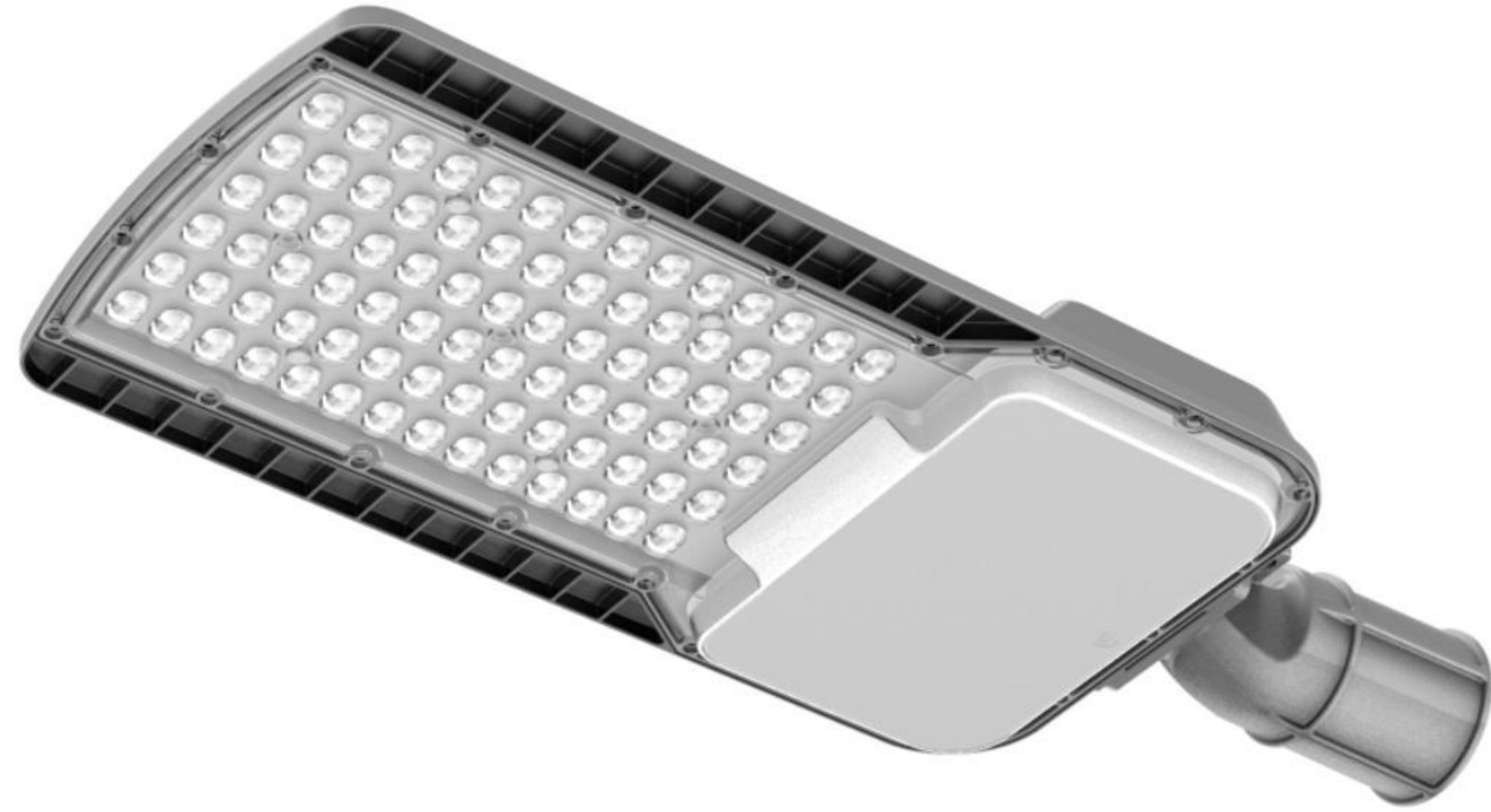
D-8T3SA



H-8T2A

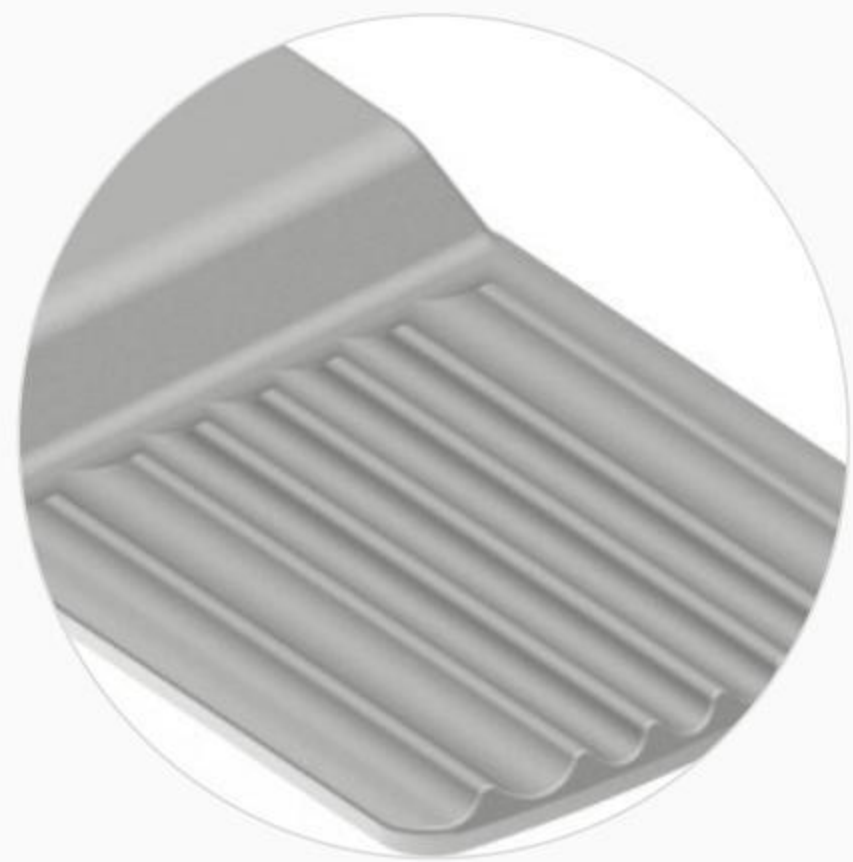
超薄路灯

SLIM LED STREET LIGHT



功能特点 GREAT FEATURES

- 可选配光控开关, 自动控制天黑亮灯, 天亮灭灯;
Optional light control switch, automatically control the lights on at dark and off at dawn;
- 灯头手柄可调节正负15°仰角, 可垂直90°安装;
Tool-free maintenance buckle, convenient for quick maintenance;
- 背部条状铝材散热, 增加空气对流效果, 散热效果更佳;
The strip-shaped aluminum material on the back dissipates heat, which increases the air convection effect and the heat dissipation effect is even better;



背部条状铝材散热, 增加对流

The strip-shaped aluminum material on the back dissipates heat, which increases the air convection effect and the heat dissipation effect is even better;

产品优势&规格参数 ADVANTAGES & CHARACTERISTICS

经过优化和全面认证的LED照明解决方案, 具有成本效益和快速的投资回报。

An optimised and fully certified LED lighting solution that provides a cost effective and fast return on investment .

优势 ADVANTAGES

- PC镜头, 透光率94%.
PC lens, light transmittance 94%.
- 4种尺寸, 灵活多变。
4 sizes for flexibility.
- 可提供电气保护等级。
Available with Electrical Protection Class.
- 采用13道喷涂工艺, 产品可靠性高。
Using 13 process spraying process, product reliability is high.
- 高效涂层, 油漆和金属部件可以通过500小时盐雾测试。
High efficiency coating, paint and metal parts can pass 500 hours salt spray test.
- 快速断电, 保护器的可拆卸设计及使用使得这款照明设备维护方便且安全。
Detachable design and use of fast turn off power protector render this luminaire convenient and safe for maintenance.
- 易于安装和维护。
Easy installation and maintenance.
- 可编程程序, 智能驱动。
Programmable Drivers - Smart-ready.
- 一级保护等级。
ENEC CLASS I.
- 含10kV电涌保护装置, 可选20kV电涌保护装置。
10kV Surge Protection Device included & 20kV Surge Protection Device optional.
- 经济高效的照明解决方案。
Cost-effective and efficient lighting solution for a fast return of investment.
- 高强度海洋级压铸铝合金阀体, 冲击等级为IK10
PC镜头盖等级为IK08。
High strength ocean grade die cast aluminum alloy valve body
An IK10 impact rating and PC lens cover rated IK08.

规格参数 CHARACTERISTICS

• 功率 Power	30W/50W/100W/200W
• 典型光通量 Typical Luminaire	150lm/W-190lm/W
• 色温 Colour temperature	3000-6500K
• 显色指数 CRI	
• 光源类型 LED Chip	Lumileds 5050 / 3030
• 输入电压 Nominal voltage	AC100-277V, 50/60Hz
• 电源品牌 Driver Brand	
• 浪涌保护 Surge Protection	
• 智能控制选项 Smart Control Options	
• 防护等级 IP	IP66
• 材料 Material	压铸铝&PC透镜 Die cast aluminum & PC Lens
• 外壳颜色 Housing Colour	信号白/白铝色
• 安装选项 Installation options	垂直/可调角度 Vertical / adjustable angle
• 推荐安装高度 Recommended Installation Height	4m - 12m
• 工作温度 Operating temperature	-40°C ~ +45°C
• 光学 Optics	

私模双面太阳能路灯

PRIVATE DOUBLE-SIDED SOLAR PANEL STREET LIGHT



功能特点 GREAT FEATURES

- 可便捷式安装, 支架可180°调节;
Convenient installation, the bracket can be adjusted by 180°;
- 路灯采用双面太阳能电池板独立设计, 最大限度地提高了30%~50%的发电量;
Street light is with independent design of double-sided solar panel, maximumly improved the power generation by 30%~50%;
- 自主研发设计的太阳能路灯, 款式独特;
Self-developed and designed solar street lamps with unique styles;



双面发电太阳能板持久耐用

Double sided power generation solar panels are durable and long-lasting

产品优势&规格参数 ADVANTAGES & CHARACTERISTICS

经过优化和全面认证的LED照明解决方案, 具有成本效益和快速的投资回报。

An optimised and fully certified LED lighting solution that provides a cost effective and fast return on investment.

优势 ADVANTAGES

- 单晶硅光伏板, 22%高效率转换
Monocrystalline silicon photovoltaic panels with 22% high efficiency conversion.
- 3种尺寸, 灵活多变。
3 sizes for flexibility.
- 可提供电气保护等级。
Available with Electrical Protection Class.
- 采用13道喷涂工艺, 产品可靠性高。
Using 13 process spraying process, product reliability is high.
- 采用飞利浦高亮灯珠LED芯片。
The lamp beads are made of Philips High light bead LED chip.
- 易于安装和维护。
Easy installation and maintenance.
- 可编程程序, 智能驱动。
Programmable Drivers - Smart-ready.
- 一级保护等级。
ENEC CLASS I.
- 365天持续续航。
365 days Continuous endurance.
- 经济高效的照明解决方案。
Cost-effective and efficient lighting solution for a fast return of investment.

规格参数 CHARACTERISTICS

Model	Power	Battery	Solar Panel	Light Effect	Angle	Pole Diameter	Size(mm)
KS-C6-B-30W	30W	15AH 12.8V	55W 19V	180lm/W-220lm/W	TypeII/ TypeIII/ TypeIV	Ø70-80mm	585*405*206
KS-C6-B-60W	60W	30AH 12.8V	85W 18V	180lm/W-220lm/W		Ø70-80mm	860*405*206
KS-C6-B-90W	90W	45AH 12.8V	100W 18V	180lm/W-220lm/W		Ø70-80mm	1163*405*206

智能功能调节 INTELLIGENT FUNCTION ADJUSTMENT

智能电池控制系统可根据电池储电量自动调节灯具输出功率, 有效延长灯具工作时间, 即使连续阴雨天气, 也能确保太阳能路灯持续工作。

有人时100%亮度

无人时25%亮度

电量充足时



私模太阳能路灯

PRIVATE SOLAR PANEL STREET LIGHT



功能特点 GREAT FEATURES

- 便捷式安装, 支架可180°调节;
Convenient installation, the bracket can be adjusted by 180°;
- 自主研发设计的太阳能路灯, 款式独特;
Self-developed and designed solar street lamps with unique styles;
- 电池舱和光源舱独立分开, 有效防止电池过热;
The battery compartment and the light source compartment are separated independently, which effectively prevents the battery from overheating;

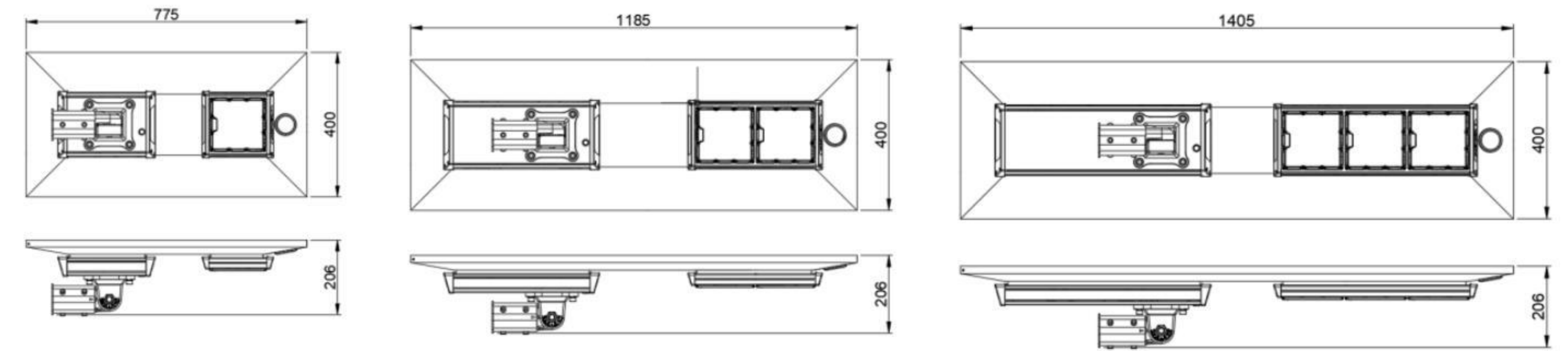


支架角度任意调节, 满足不同照明需求
Adjustable bracket angle to meet different lighting needs

产品优势&规格参数 ADVANTAGES & CHARACTERISTICS

经过优化和全面认证的LED照明解决方案, 具有成本效益和快速的投资回报。
An optimised and fully certified LED lighting solution that provides a cost effective and fast return on investment.

产品尺寸图 Product Size Drawing



规格参数 CHARACTERISTICS

Model	Power	Battery	Solar Panel	Light Effect	Angle	Pole Diameter	Size(mm)
KS-C6-A-30W	30W	15AH 12.8V	55W19V	180lm/W-220lm/W	TypeII/ TypeIII/ TypeIV	Ø 70-80mm	775*400*206
KS-C6-A-60W	60W	30AH 12.8V	85W 18V	180lm/W-220lm/W		Ø 70-80mm	1185*400*206
KS-C6-A-90W	90W	45AH 12.8V	100W 18V	180lm/W-220lm/W		Ø 70-80mm	1405*400*206

智能功能调节 INTELLIGENT FUNCTION ADJUSTMENT

智能电池控制系统可根据电池储电量自动调节灯具输出功率, 有效延长灯具工作时间, 即使连续阴雨天气, 也能确保太阳能路灯持续工作。

有人时100%亮度

无人时25%亮度

电量充足时



双向板太阳能路灯

DOUBLE-SIDED PANEL SPLIT SOLAR STREET LIGHT



功能特点 GREAT FEATURES

- 可选微波雷达感应,人来亮灯,感应灵敏;
Optional microwave radar sensor, light on when people come, sensitive sensor;
- 大面积太阳能板,一灯满足主辅路双向照明;
Large-area solar panels, One light satisfies two-way lighting of both main and side roads;
- 采用5050灯珠,光效可达170lm/W以上;
Using SMD5050 LED chips, the light efficiency can reach more than 170lm/W;

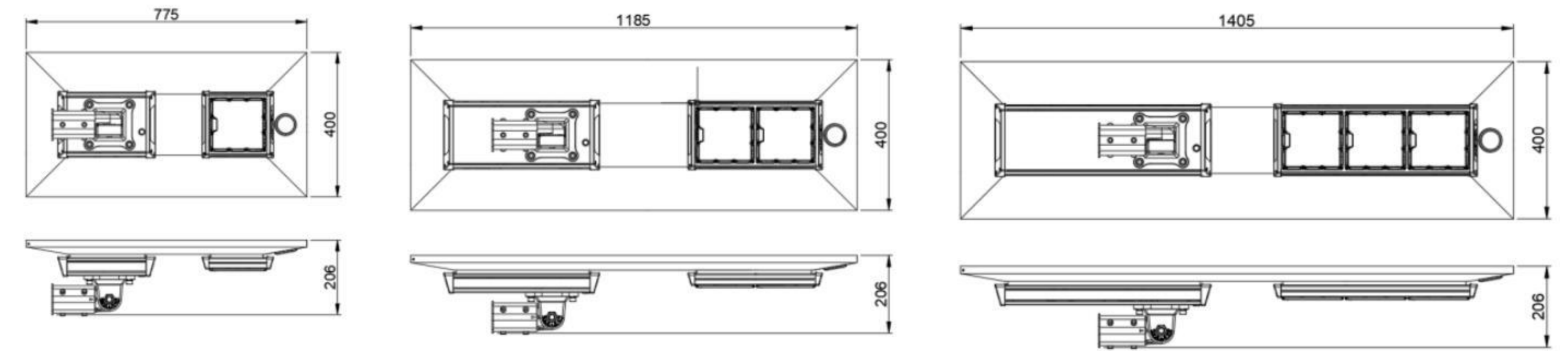


双向模组化设计, 满足主辅路双向照明
Bidirectional modular design, meeting the requirements of bidirectional lighting for main and auxiliary roads

产品优势&规格参数 ADVANTAGES & CHARACTERISTICS

经过优化和全面认证的LED照明解决方案, 具有成本效益和快速的投资回报。
An optimised and fully certified LED lighting solution that provides a cost effective and fast return on investment.

产品尺寸图 Product Size Drawing



规格参数 CHARACTERISTICS

Model	Power	LED Chip	Solar Panel	Light Effect	Angle	Pole Diameter	Size(mm)
KS-C8-30W	30W	LED 5050	4.5V70W	>170LM/w	60°150°	Ø0mm	900*400*220
KS-C8-40W	40W	LED 5050	4.5V90W	>170LM/w		Ø0mm	1120*400*230

智能功能调节 INTELLIGENT FUNCTION ADJUSTMENT

智能电池控制系统可根据电池储电量自动调节灯具输出功率, 有效延长灯具工作时间, 即使连续阴雨天气, 也能确保太阳能路灯持续工作。



模组化太阳能路灯

MODULAR SOLAR STREET LAMP



功能特点 GREAT FEATURES

- 可选微波雷达感应,人来亮灯,感应灵敏;
Optional microwave radar sensor, light on when people come, sensitive sensor;
- 便捷式安装, 支架可180°调节;
Convenient installation, the bracket can be adjusted by 180°;
- 光效可达到170lm/W以上;
The light efficiency can reach more than 170lm/W;



模组化设计, 亮度更高、功耗更低、散热更好
Modular design, higher brightness, lower power consumption, and better heat dissipation

产品优势&规格参数 ADVANTAGES & CHARACTERISTICS

经过优化和全面认证的LED照明解决方案, 具有成本效益和快速的投资回报。
An optimised and fully certified LED lighting solution that provides a cost effective and fast return on investment.

产品尺寸图 Product Size Drawing



规格参数 CHARACTERISTICS

Model	Power	LED Chip	Solar Panel	Light Effect	Angle	Pole Diameter	Size(mm)
KS-C9-30W	30W	LED 5050	4.5V70W	>170LM/w	60°150°	Ø0mm	910*400*280
KS-C9-40W	40W	LED 5050	4.5V90W	>170LM/w		Ø0mm	1168*400*280


智能功能调节 INTELLIGENT FUNCTION ADJUSTMENT

智能电池控制系统可根据电池储电量自动调节灯具输出功率, 有效延长灯具工作时间, 即使连续阴雨天气, 也能确保太阳能路灯持续工作。

有人时100%亮度



无人时25%亮度



电量充足时

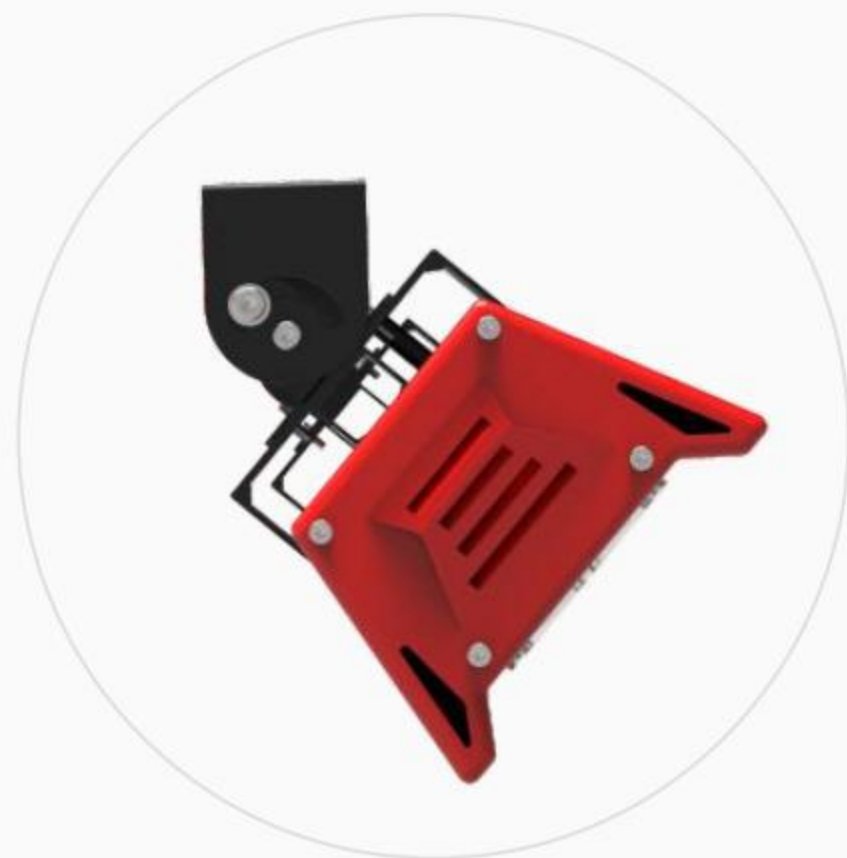
LED线条灯

LED LINEAR LIGHT



功能特点 GREAT FEATURES

- 丰富的光学角度选择, 满足不同的照明场景方案需求;
Various optical lens angle options : 25°/45°/60°/90°/120°/30x70°/81x151°/60x90°/TYPE2/TYPER3/TYPER4/TYPER5-90°/TYPER5-130°;
- 高效的散热设计, 增加空气自然对流导向孔, 静电喷涂, 抗腐蚀强;
Efficient heat dissipation design, increased natural air convection guide holes, electrostatic spraying, strong corrosion resistance;



空气对流孔位设计, 散热更快更好, 有限延长灯具的寿命

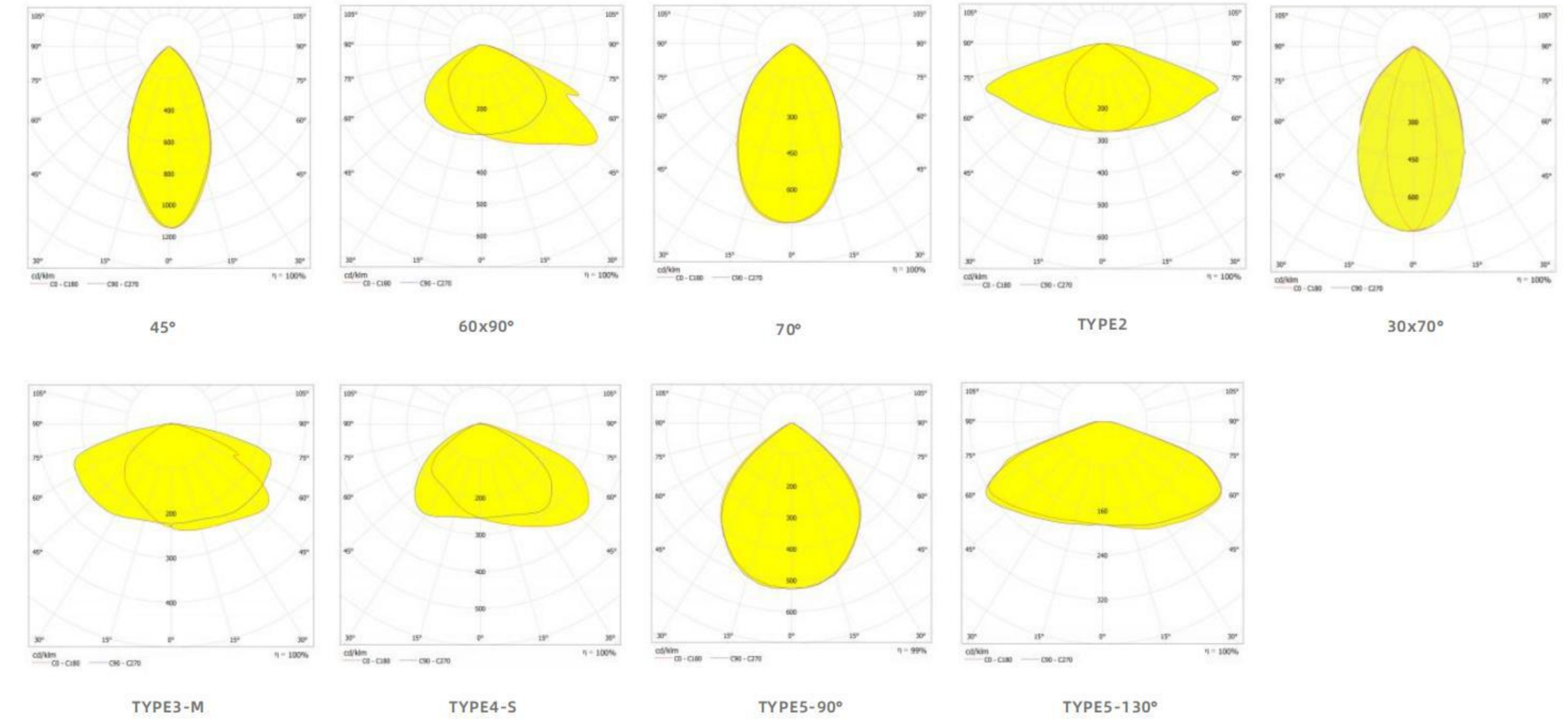
The air convection hole is designed to dissipate heat faster and better, and the lamp is extended in a limited way lifespan

产品优势&规格参数 ADVANTAGES & CHARACTERISTICS

经过优化和全面认证的LED照明解决方案, 具有成本效益和快速的投资回报。

An optimised and fully certified LED lighting solution that provides a cost effective and fast return on investment.

配光曲线图 Light distribution curve:



规格参数 CHARACTERISTICS

Model	Power	LED Chip	Light Effect	Angle	Size(mm)
KH-C1-50W	50W	LED 3030	150lm/W-190lm/W	25°, 45°, 60°, 90°, 120°, 30x70°, 81x151°, 60x90°, TYPE2, TYPE3, TYPE4, TYPE5-90°, TYPE5-130°	300*140*112
KH-C1-100W	100W	LED 3030	150lm/W-190lm/W		600*140*120
KH-C1-150W	150W	LED 3030	150lm/W-190lm/W		900*140*112
KH-C1-200W	200W	LED 3030	150lm/W-190lm/W		1200*140*112

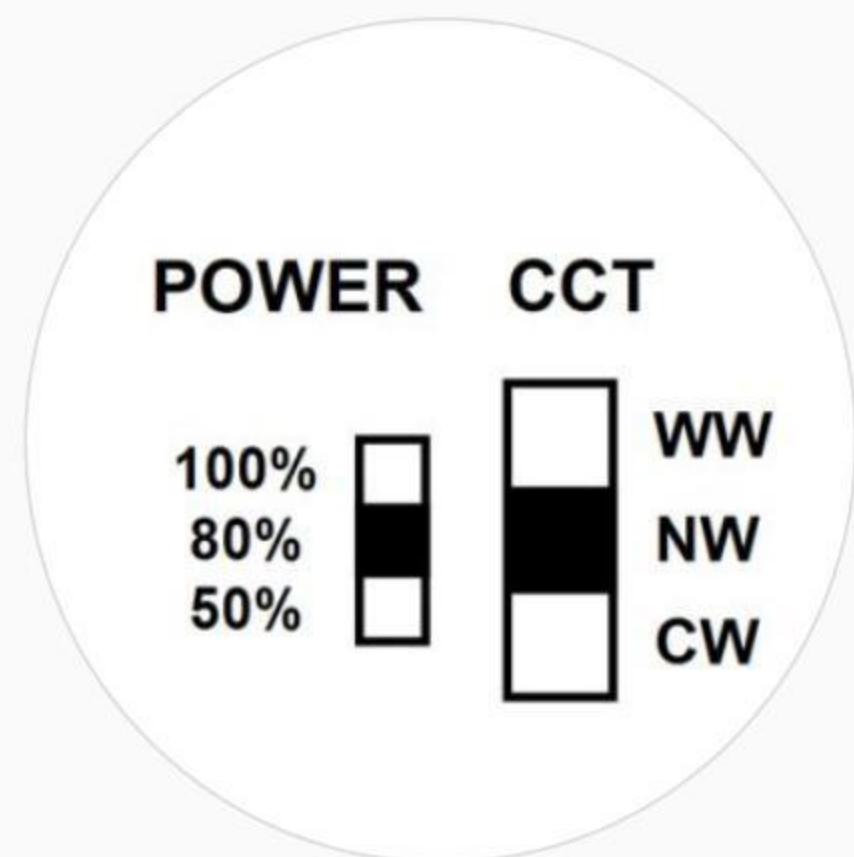
线性面板工矿灯

LED LINEAR HIGH BAY LUMINAIRES



功能特点 GREAT FEATURES

- 双拨码设计, 减少SKU, 色温, 功率均可调;
Double dial design, reducing SKU, color temperature, and power are all adjustable;
- 高空微波感应器, 三段式调光, 可拆卸设计;
High-altitude microwave sensor, three-stage dimming, detachable design;
- 提供最佳经济高效的工业照明方案选择;
Provide the best cost-effective industrial lighting solution options;



双拨码设计, 减少SKU

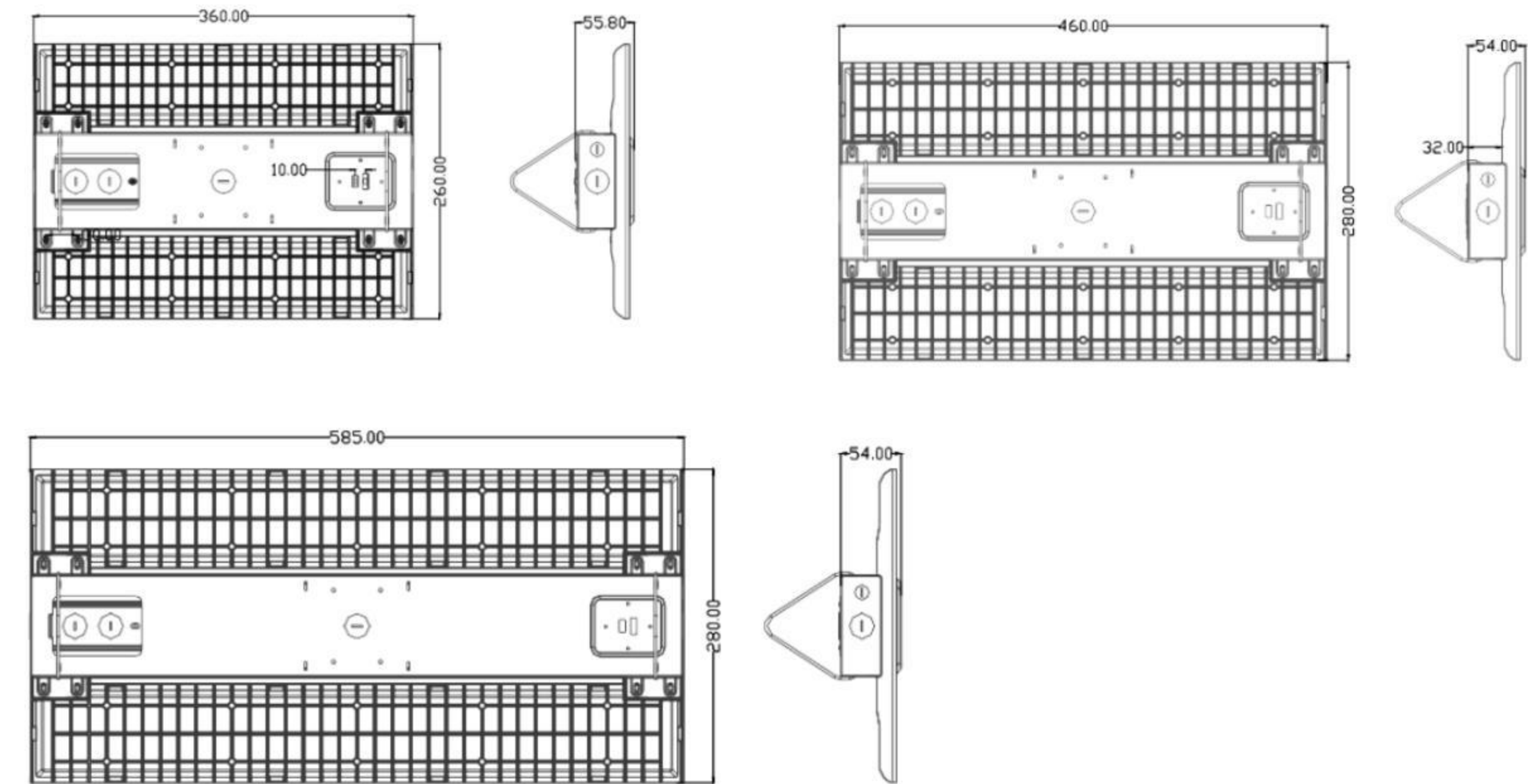
Double dial design reduces SKU

产品优势&规格参数 ADVANTAGES & CHARACTERISTICS

经过优化和全面认证的LED照明解决方案, 具有成本效益和快速的投资回报。

An optimised and fully certified LED lighting solution that provides a cost effective and fast return on investment.

产品尺寸图 Product Size Drawing

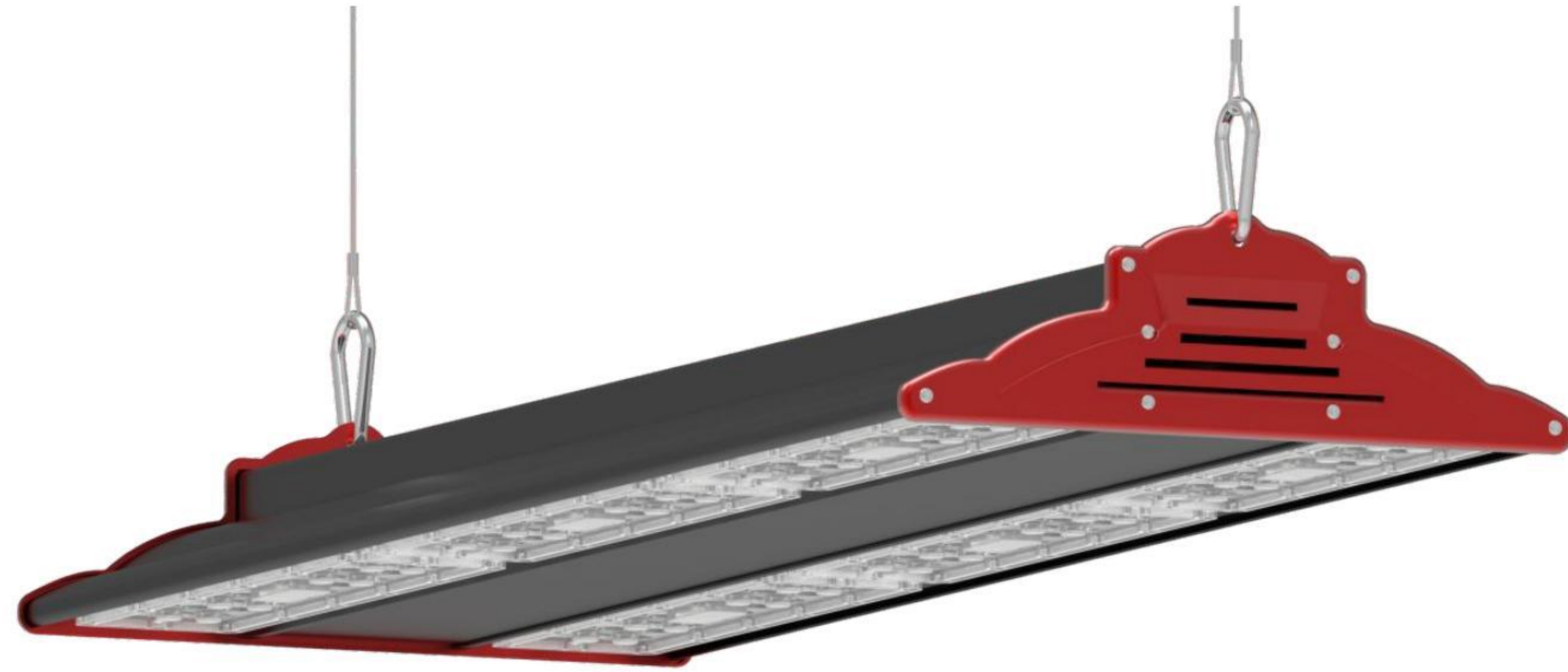


规格参数 CHARACTERISTICS

Model	Power	LED Chip	Light Effect	Color Rendering Index	Size(mm)
KH-F2-50W	100W	LED 2835	≥140lm/w	CRI 70/80/90	360*260*56
KH-F2-200W	200W	LED 2835	≥140lm/w		460*280*54
KH-F2-300W	300W	LED 2835	≥140lm/w		585*280*54

线性面板工矿灯

LED LINEAR HIGH BAY LUMINAIRES



功能特点 GREAT FEATURES

- 丰富的光学角度选择, 满足不同的照明场景方案需求;
Various optical lens angle options : 25°/45°/60°/90°/120°/30x70°/81x151°/60x90°/TYPE2/TYPE3/TYPE4/TYPE5-90°/TYPE5-130°;
- 高效的散热设计, 增加空气自然对流导向孔, 静电喷涂, 抗腐蚀强;
Efficient heat dissipation design, increased natural air convection guide holes, electrostatic spraying, strong corrosion resistance;



空气对流孔位设计, 散热更快更好, 有限延长灯具的寿命

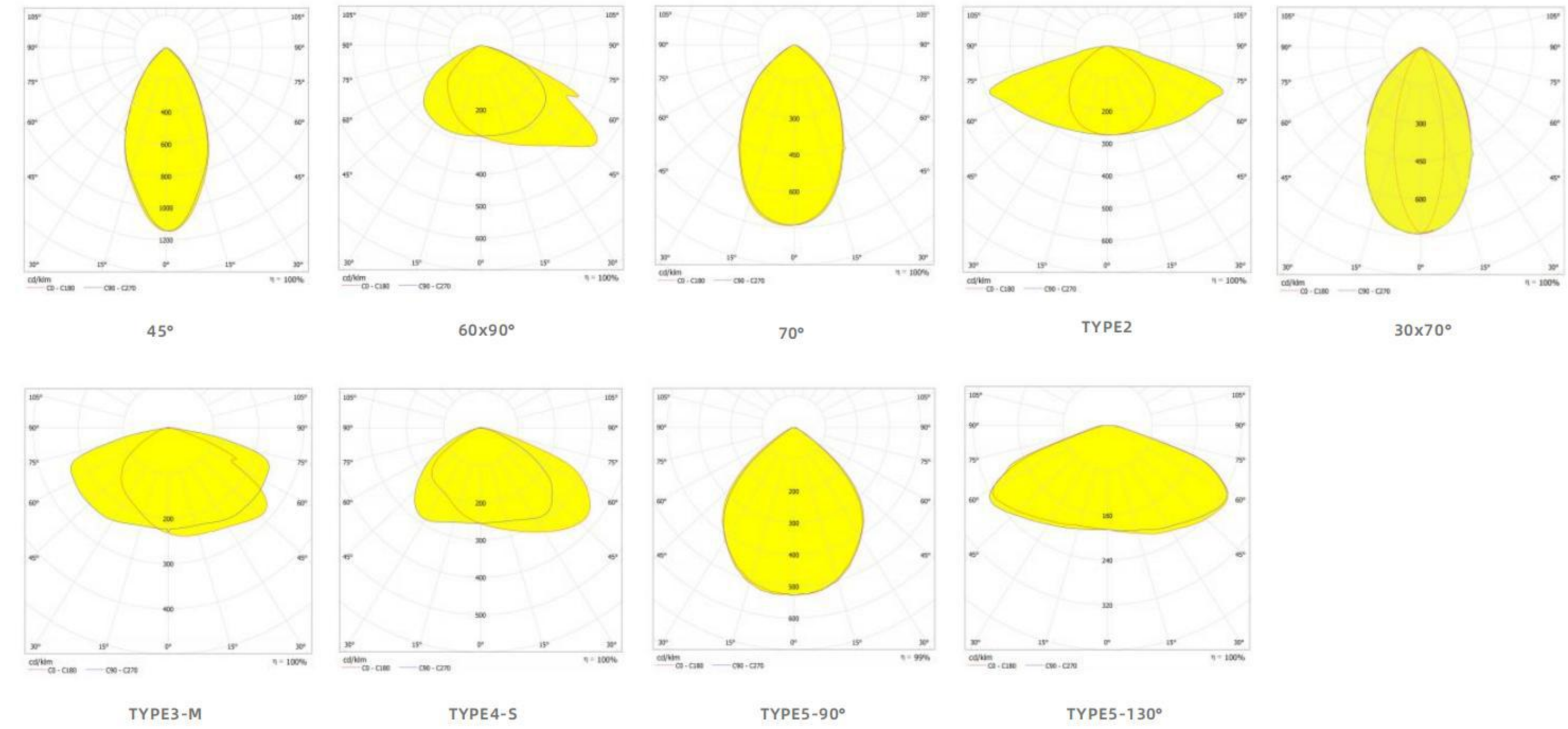
The air convection hole is designed to dissipate heat faster and better, and the lamp is extended in a limited way lifespan

产品优势&规格参数 ADVANTAGES & CHARACTERISTICS

经过优化和全面认证的LED照明解决方案, 具有成本效益和快速的投资回报。

An optimised and fully certified LED lighting solution that provides a cost effective and fast return on investment .

配光曲线图 Light distribution curve:

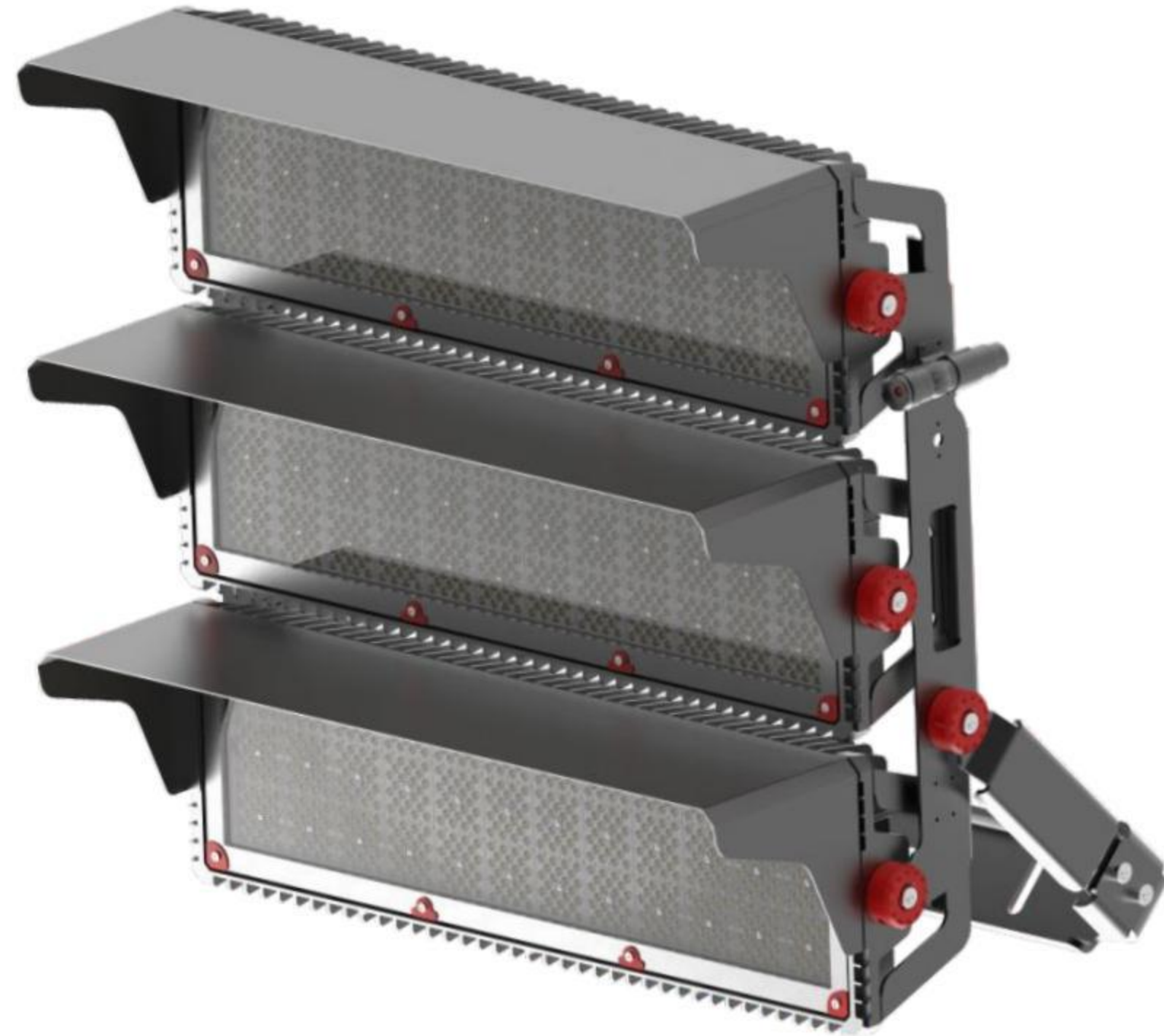


规格参数 CHARACTERISTICS

Model	Power	LED Chip	Light Effect	Angle	Size(mm)
KH-F1-100W	100W	LED 3030	150lm/W-190lm/W	25°, 45°, 60°, 90°, 120°, 30x70°, 81x151°, 60x90°, TYPE2, TYPE3, TYPE4, TYPE5-90°, TYPE5-130°	305*300*95
KH-F1-200W	200W	LED 3030	150lm/W-190lm/W		305*600*95
KH-F1-300W	300W	LED 3030	150lm/W-190lm/W		305*900*95
KH-F1-400W	400W	LED 3030	150lm/W-190lm/W		305*1200*95

LED球场灯

LED STADIUM LIGHT



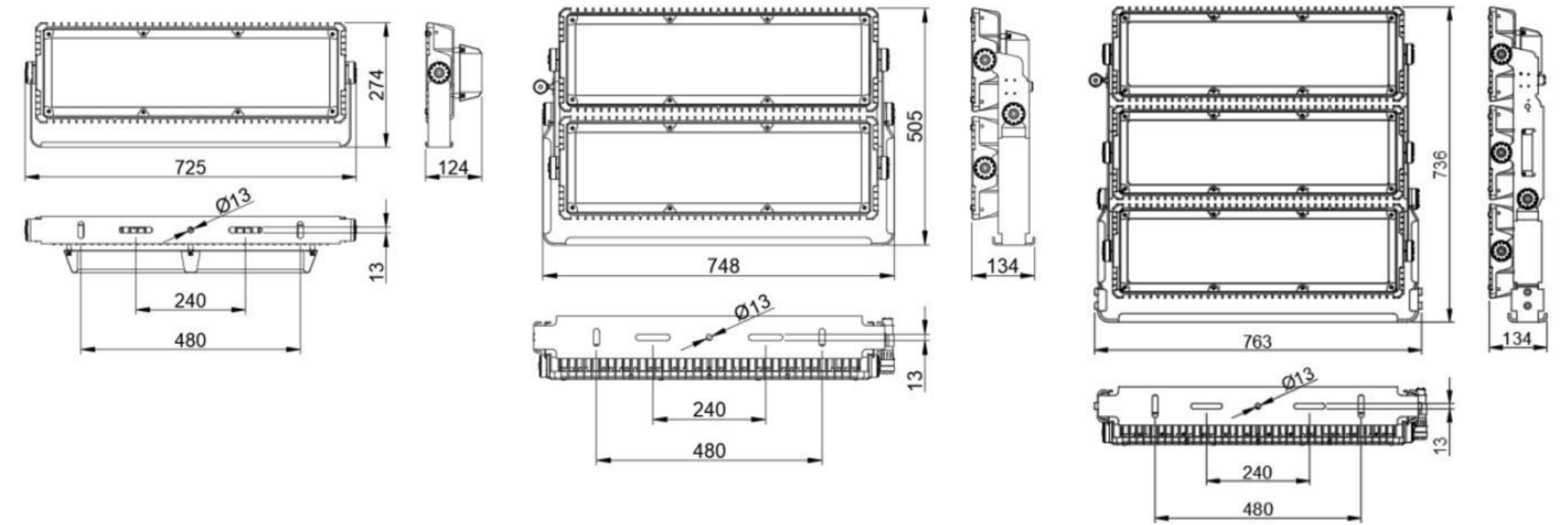
产品优势&规格参数

ADVANTAGES & CHARACTERISTICS

经过优化和全面认证的LED照明解决方案，具有成本效益和快速的投资回报。
An optimised and fully certified LED lighting solution that provides a cost effective and fast return on investment.

产品尺寸图

Product Size Drawing



功能特点

GREAT FEATURES

- 每个模组500W, 从500W到2000W;
500W per module, from 500W to 2000W;
- 最高光效可达190lm/W;
High efficiency Up to 190lm/W;
- 带有激光校准器, 方便安装角度校准;
With laser calibrator, it is convenient to install angle calibration;

规格参数

CHARACTERISTICS

Model	Power	LED Chip	Light Effect	Color Rendering Index	Size(mm)
KF-J3-500W	500W	LED 3030	150lm/W-190lm/W	30°/60°/90°	725*274*124
KF-J3-1000W	1000W	LED 3030	150lm/W-190lm/W		748*505*134
KF-J3-1500W	1500W	LED 3030	150lm/W-190lm/W		763*736*134
KF-J3-2000W	2000W	LED 3030	150lm/W-190lm/W		763*966*134



深罩漫反射防眩设计, 光线舒适柔和

Deep cover diffuse reflection anti glare design, comfortable and soft lighting